

Tech Bulletin

Straight Thread Swivel Change Stainless 5000, 7000, H18000, 80000

Advantages of new swivel design

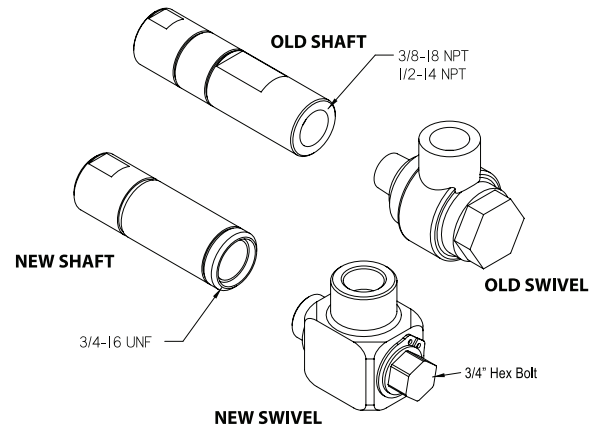
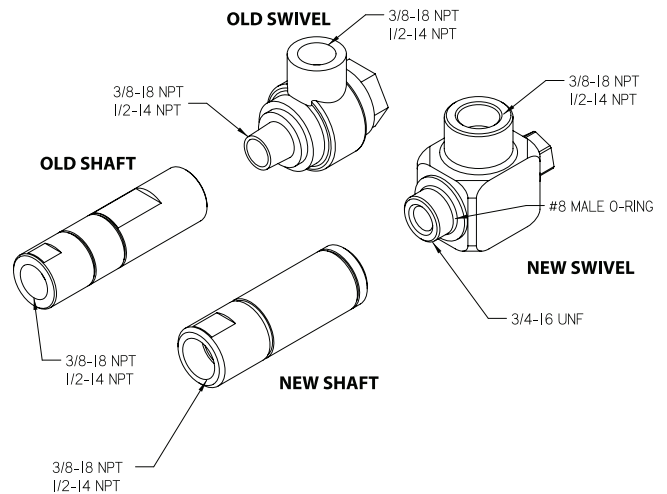
- Makes assembly easy
- Excellent seal for both liquids and gases
- Does not require additional sealant
- Seals over a wide range of pressures and temperatures
- No critical torque or tightening
- Ease of service; no retaping or torquing
- In many cases, the O-Ring may be reused



New Swivel
S602682-2

Old Swivel
S600092-2

Hose Reel Model Number	Old Shaft Part Number	New Shaft Part Number	Old Swivel Part Number	New Swivel Part Number
HS18000 M	602308	S602684	600111-2	S602690-2
HS18000 M-S	602308	S602684	600111-2	S602690-2
HS28000 M	260385	S602684	600111-2	S602690-2
HS28000 M-S	260385	S602684	600111-2	S602690-2
82000 OLS	261306-2	S261306-6	S600092-2	S602682-2
81000 OMS	261306-2	S261306-6	S600092-2	S602682-2
82000 OMS	261306-2	S261306-6	S600092-2	S602682-2
7800 OLS	602283	S602683	600375-2	S602691-2
7800 OLS-S	602283	S602683	600375-2	S602691-2
7600 OMS55	261046	S602683	600112-4	S602689-4
7600 OMS-S55	261046	S602683	600112-4	S602689-4
7800 OMS	602283	S602683	600111-2	S602690-2
7800 OMS-S	602283	S602683	600111-2	S602690-2
5635 ELSSW5	260227	S262922	S600093-2	S602689-2
5600 ELS	260227	S262922	S600093-2	S602689-2
5600 ELS-S	260227	S262922	S600093-2	S602689-2
5600 OLSSW5	260227	S262922	S600093-2	S602689-2
5600 OLS	260227	S262922	S600374-2	S602689-2
5600 OLS-S	260227	S262922	S600374-2	S602689-2
5600 OMS	260227	S262922	600112-2	S602689-2
5600 OMS-S	260227	S262922	600112-2	S602689-2



New straight thread swivels in effect beginning August 1, 2016

* See page 2 for a diagram on how to find your reel manufacture date.

Form # TB0043 Rev: 9/2016

A nameplate label like the one listed below can be found on all Reelcraft reels. Your label Serial Number will tell you the manufacture date of your reel. See the diagram below for more information.



Year: 16 = 2016

Month: 08 = August

Day of the month