

Professional Turf Care Trailer & Hose Reel

For Golf Courses, Athletic Fields, Parks & Rec

Hand Crank & Motor Driven

Series 37000 - 3/4", 1" I.D.

Trailer Hose Reel Caddy

Reelcraft's Series 37000 reels are designed for grounds maintenance applications requiring up to 1" I.D. x 100' of hose and readily adapt to indoor or outdoor applications. Series 37000 reels are designed to fit on Reelcraft's cart or trailer. Reels are shipped completely assembled, ready to install. Installation instructions are included with each reel. Trailer, reel and accessories sold separately.

CAPACITY

1" ID x 100' or
3/4" ID x 150'
water hose



Reel and Trailer
600910 shown
with optional accessories

5 Five Key Benefits

1. Respond Faster

React quickly and easily, reduce tangled hoses, power-rewind hose

2. Reduce Turf Damage

Avoid turf wear and damage from dragging hoses

3. Save Labor, Save Money

Save labor by improving response time, reduce hose wear by storing

on a reel

4. Enhance Existing System

Provide quick supplemental irrigation to enhance your existing system

5. Save Equipment

Eliminate the need for a dedicated maintenance vehicle



Wind Things Up With Reelcraft

1-800-444-3134 www.reelcraft.com



Reel and Trailer Package 600910

Orchard Ridge Country Club, Fort Wayne, Indiana

Trailer #600810 shown (above) with reel model **EA37118L12D** and accessories as follows: operating switch, top and bottom roller guides, battery box, battery connector, chain guard, 10' inlet hose and 1" I.D. by 100' hose. Order reel and trailer package #600910.

APPLICATIONS

- Golf Courses
- Athletic Fields/Sports Turf
- Parks & Rec
- Pest Control
- Grounds Maintenance
- Agricultural
- Nurseries
- Hotels, Resorts

ADDITIONAL ACCESSORIES

S600808

Operating switch

600848-3

Top hose roller guide

600226-3

Bottom hose roller guide

600518

Chain guard

600812

Battery box (Battery not included)

600814

Battery cable connector

600829-100

Hose, 1" I.D. X 100'

601044-150

Hose, 3/4" I.D. X 150'

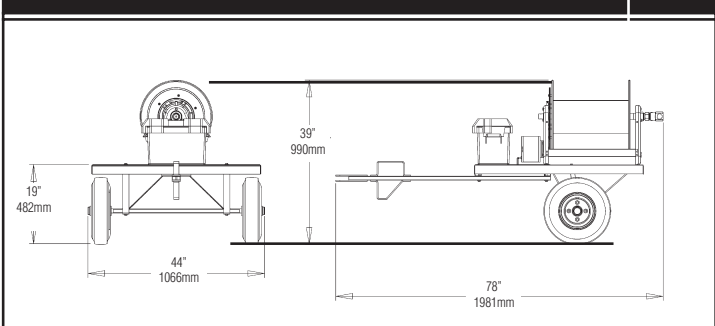
600829-10

Inlet hose, 1" I.D. X 10'

TRAILER PACKAGES

PACKAGE	ITEMS INCLUDED
600911	(1) 600810: Trailer
	(1) CA37118 L: Hand rewind hose reel to handle 100' of 1" I.D. hose (hose not included)
	(1) 600848-3: Roller Bracket, top wind
	(1) 600829-10: 10' Lead hose
600910	(1) 600810: Trailer
	(1) EA37118 L 12D: Hose reel to handle 100' of 1" I.D., without hose (12V DC Motor)
	(1) S600808: Switch (complete)
	(1) 600812: Battery box (battery not included)
	(1) 600518: Chain guard
	(1) 600848-3: Roller bracket, top wind
	(1) 600226-3: Roller bracket, bottom wind
(1) 600829-10: 10' Lead hose with 1" I.D.	

TRAILER DIMENSIONS



Trailer designed for off-road use only, not for passenger transport. Maximum weight capacity 400 pounds. Maximum speed 15 miles per hour. Trailer, reel and accessories sold separately.

