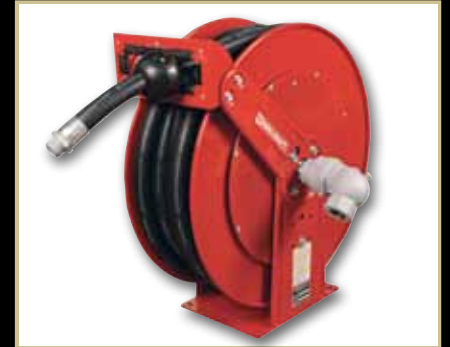


LPG Reels



reelcraft.com

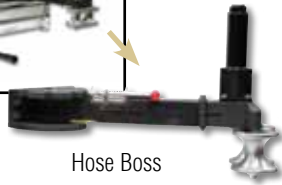


Liquid Propane Reels

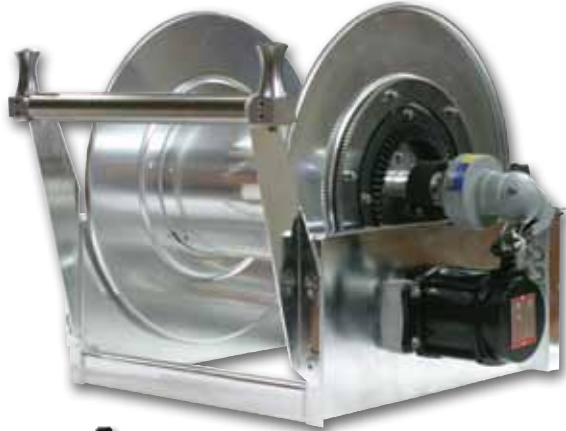
Polished Aluminum

Nordic Series
3900 LPG

Inset: Nordic Series 3900
LPG with optional Hose Boss



Hose Boss



Optional bottom wind
three way hose roller
guide also available.

Aluminum Series 3900 LPG

Rewind: Gear-drive or chain and sprocket drive powered by explosion proof A.C. or D.C. electric motor, compressed air motor or hydraulic motor.

- Full Circle® UL approved swivels.
- Shown with optional direct gear drive for maximum reliability and reduced downtime.
- Shown with Top Wind Three Way Hose Roller Guide (optional).
- The Hose Boss (optional) consists of a rewind switch mounted in an extended arm with two hose rollers. Assists in efficiently and safely unwinding and rewinding hose.
- Heavy duty aluminum construction is light-weight and corrosion resistant.

Steel Series 3900 LPG

Rewind: Gear-drive or chain and sprocket drive powered by explosion proof A.C. or D.C. electric motor, compressed air motor or hydraulic motor.

- Heavy gauge steel construction for maximum durability and long service life.
- Baked on powder coat finish is applied in component form for maximum coverage and corrosion resistance.
- Shown with optional direct gear drive for maximum reliability and reduced downtime. Heavy gauge ANSI #40 (1/2" pitch) chain drive is standard.
- Full Circle® UL approved swivels.
- Shown with optional top wind three way hose roller guide and explosion proof operating switch.



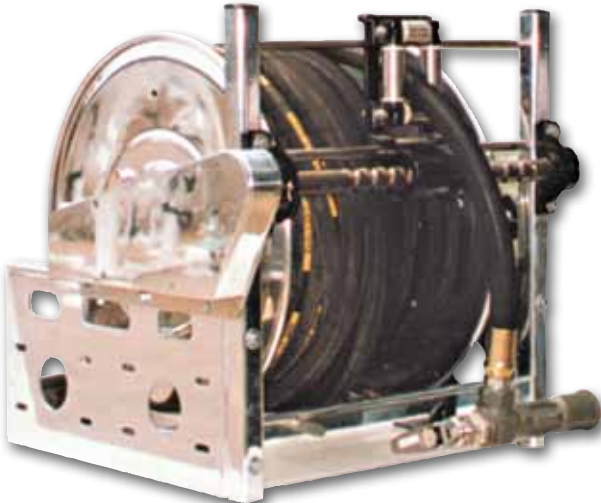
Steel Constructed

Nordic Series
3900 LPG

Optional bottom wind
three way hose roller
guide also available.

Level Rewind

Nordic Series
3900 LPG



Level Rewind Optional Accessory

The level rewind system assists the hose onto the drum by using a traversing guide. The level rewind system aids in proper storage and maintenance of the hose. Contact Reelcraft for all available LPG reel optional accessories.

NOTE: Hose and nozzle not included.

Liquid Propane Reels

| Drive Options | Series | Head Dia. | Drum Length | Thread Size | Thread Type | Thread Style | Fluid Path Material | Pressure | Inlet Style | Fluid Path Location/Direction | Color Code |
|------------------------------------|--------|-----------|-------------------------------|--------------------------|------------------|--------------|---|----------|-----------------------|-------------------------------|------------|
| EP *12 VDC Exp | 3900 | 19 | 6"-36" in 2" increments | 10 1" | FF Female In/Out | NP NPT | A Aluminum D Ductile Iron S Stainless | LP 0-600 | 5 1" LPG 6 1½" LPG | 1 Left Hand Top Wind | R Red |
| EA *115 VAC Exp | | 21 | | 12 1 1/4" | | | | | | 2 Left Hand Bottom Wind | B Black |
| EJ *24 VDC Exp | | 23 | | 15 1 1/2" | | | | | | 3 Right Hand Top Wind | W White |
| HD Hydraulic | | 25 | | 4 Right Hand Bottom Wind | | | | | | G Grey | |
| AF 1½ HP Air | 28 | | | | | | | | | S Silver | |
| AR 4 HP Air | 31 | | | | | | | | | | |
| BC Bevel Crank | 36 | | | | | | | | | | |
| HC Hand Crank | 39 | | | | | | | | | | |
| *Exp=Explosion proof motor | 46 | | | | | | | | | | |
| Material Options/Drive Size | | | | | | | | | | | |
| 1/2" Pitch Chain | ###5 | | | | | | | | | | |
| Gear Driven | ###9 | | | | | | | | | | |
| Alum. Frame/Spool | ##5# | | | | | | | | | | |

Additional options are available. **NOTE:** Not all options available in every combination. Please contact manufacturer for price and availability.

Part No. Example: EP3905-23-20-10FFNPALP51-G

Series 80000 / D80000 - 1/2", 3/4", 1" I.D. Hose

- Full Circle® UL approved swivels.
- Stainless or powder coated steel construction.
- Dual pedestal and guide arm support for structural strength.
- Two sealed ball bearings for smooth rotation on main shaft.



Series 80000
Carbon Steel
Hose not included

Series 80000
Stainless Steel
Hose not included

OPTIONS

Choose a reel model from the chart below, then use the suffix codes below to choose a flange/end plate material.

LP82000 OL

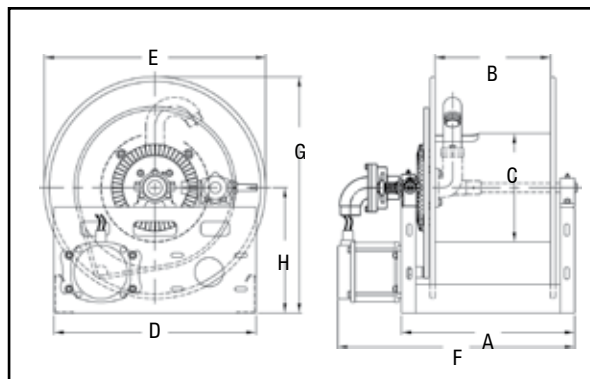
| Flange/End Plate Material | |
|---------------------------|-----------------|
| S | Stainless Steel |
| P | Carbon Steel |

| MODEL | HOSE I.D. | HOSE O.D. | CAPACITY | PRESSURE | WEIGHT |
|---|-----------|-----------|----------|-----------|----------|
| | in / mm | in / mm | ft / m | psi / bar | lbs / kg |
| SERIES 80000 / D80000: SPRING DRIVEN REELS | | | | | |
| LP82000 OL <input type="checkbox"/> * | 1/2 13 | .845 21 | 100 30 | 300 21 | 82 37 |
| LP83000 OL <input type="checkbox"/> * | 3/4 19 | 1.188 30 | 50 15 | 500 35 | 82 37 |
| LPD83000 OL <input type="checkbox"/> * | 3/4 19 | 1.188 30 | 75 23 | 500 35 | 77 35 |
| LPD84000 OL <input type="checkbox"/> * | 1 25 | 1.500 38 | 50 15 | 500 35 | 77 35 |

*Choose flange/end plate material from chart above.

| HOSE I.D. | in | 1 | 1 1/4 | 1 1/2 | 2 |
|-----------|----|-------|-------|-------|-------|
| | mm | 25 | 32 | 38 | 51 |
| HOSE O.D. | in | 1.563 | 1.813 | 2.063 | 2.563 |
| | mm | 46 | 46 | 52 | 65 |

Nordic Series 3900 Dimensions



| MODEL | HOSE LENGTH | | | | Est. Weight | A | B | C | D | E | F | G | H | |
|-------------|-------------|-----|-----|-----|-------------|----|-----|-----|-------|-----|-----|-----|------|-----|
| 3905-19-20* | ft | 75 | 70 | 55 | 103 LB | in | 26 | 20 | 11.25 | 21 | 21 | 33 | 22.5 | 13 |
| | m | 23 | 21 | 17 | 47 KG | mm | 660 | 508 | 286 | 533 | 533 | 838 | 572 | 330 |
| 3905-23-16* | ft | 125 | 90 | 75 | 100 LB | in | 22 | 16 | 11.25 | 21 | 23 | 29 | 24.5 | 13 |
| | m | 38 | 27 | 23 | 45 KG | mm | 559 | 406 | 286 | 533 | 584 | 737 | 622 | 330 |
| 3905-23-20* | ft | 160 | 125 | 100 | 105 LB | in | 26 | 20 | 11.25 | 21 | 23 | 33 | 24.5 | 13 |
| | m | 49 | 38 | 30 | 48 KG | mm | 660 | 508 | 286 | 533 | 584 | 838 | 622 | 330 |
| 3905-23-24* | ft | 200 | 150 | 125 | 110 LB | in | 30 | 24 | 11.25 | 21 | 23 | 37 | 24.5 | 13 |
| | m | 61 | 46 | 38 | 50 KG | mm | 762 | 610 | 286 | 533 | 584 | 940 | 622 | 330 |
| 3905-25-14* | ft | 150 | 100 | 65 | 102 LB | in | 20 | 14 | 11.25 | 21 | 25 | 27 | 26.5 | 14 |
| | m | 46 | 30 | 20 | 46 KG | mm | 508 | 356 | 286 | 533 | 635 | 686 | 673 | 356 |
| 3905-25-18* | ft | 200 | 150 | 80 | 105 LB | in | 24 | 18 | 11.25 | 21 | 25 | 31 | 26.5 | 14 |
| | m | 61 | 46 | 24 | 48 KG | mm | 610 | 457 | 286 | 533 | 635 | 787 | 673 | 356 |
| 3905-23-26* | ft | | | 90 | 112 LB | in | 32 | 26 | 15 | 21 | 23 | 39 | 24.5 | 13 |
| | m | | | 27 | 51 LG | mm | 813 | 660 | 381 | 533 | 584 | 991 | 622 | 330 |
| 3905-31-12* | ft | | | 90 | 102 LB | in | 18 | 12 | 15 | 24 | 31 | 25 | 32.5 | 17 |
| | m | | | 27 | 46 KG | mm | 457 | 305 | 381 | 610 | 787 | 635 | 826 | 432 |
| 3905-31-22* | ft | | | 185 | 115 LB | in | 28 | 22 | 15 | 24 | 31 | 35 | 32.5 | 17 |
| | m | | | 56 | 52 KG | mm | 711 | 559 | 381 | 610 | 787 | 889 | 826 | 432 |

*Choose options from chart above. **F dimension is for electric motor models only.

North America and Corporate Headquarters

2842 E. Business Hwy 30
Columbia City, IN 46725

Customer Service: 855-634-9109
Ph: 800-444-3134 • Fax: 800-444-4587
Ph: 260-248-8188 • Fax: 260-248-2605
reelcraft@reelcraft.com

www.reelcraft.com

Latin America and the Middle East

Thompson International, Inc.
P.O. Box 12958, Ft. Wayne, IN 46866
Ph: 260-489-1685 • Fax: 260-489-0203
info@t-i-i.com

www.reelcraft.com/latinamerica

China

Reelcraft Changzhou Co., Ltd.
Building C, No. 229 HeHai West Road
Changzhou, Jiangsu, China 213022
Ph: +86 (519) 8512 2391 ext. 8002
Fax: +86 (519) 8512 9309
rco@reelcraftchina.com

www.reelcraftchina.com

Europe

Unit 17 • Cronin Courtyard
Weldon South Industrial Estate
Corby • Northamptonshire NN18 8AG United Kingdom
Ph: +44 (0) 1536 406999
Fax: +44 (0) 1536 406777
europe@reelcraft.com

www.reelcraft.com/europe

Pacific Rim

P.O. Box 53776, Clark Freeport Zone
Philippines 2023
Ph: +63 (45) 625-6624
Fax: +63 (45) 321-0643
rap@comclark.com

www.reelcraft.com/asia

Australia

PO Box 6463 BC, Blacktown
NSW 2148, Australia
Ph: +61 (2) 9621 8988
Fax: +61 (2) 9621 7688
sales@recoila.com

www.reelcraft.com