

Spring Retractable Composite Reels

Air/Water/Chemical Delivery/Welding - 3/8", 1/2" I.D.

Series S reels are economical, lighter weight, easy to handle and meet the demands of a medium-duty industrial grade reel for continuous operation. Made of corrosion-proof, tough polypropylene, extensive tests have shown it to be highly resistant to the vast majority of acids, alkalis and UV rays. The design protects the hose and allows easy cleaning of both hose and reel. Wall, ceiling or floor mount.

A unique combination of composites and metals

The tough composite polypropylene outer case houses solid brass swivel and fluid path, a steel main shaft and high quality spring steel motor.

Corrosion-resistant, durable

The tough composite polypropylene outer case is UV stabilized and resistant to most acids and alkalis with excellent impact resistance. Suitable for general applications and environments where corrosion is an issue.

Positive latching system

The design of the latching system ensures positive latching in any mounting position.

Unique mounting

The bracket system supplied with the reel allows mounting in any position with the advantage of the swivel feature.

Lighter weight

Pound for pound the S Series offers distinct weight advantages due to the composite case construction.

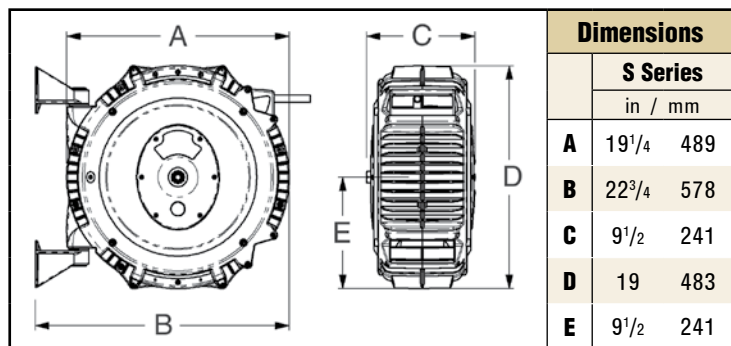


Arbor Farms Nursery, Fort Wayne, Indiana



SGA3650 OLP

Series S reels are made in Australia.



Applications

- ✓ Combination Air/Water
- ✓ Water Service
- ✓ Hot Water Wash
- ✓ Chemical Delivery
- ✓ Oxygen Acetylene

Suitable for all position mounting.

Model with Hose	Shipping Weight		Pressure		Hose I.D.		Hose O.D.		(M)NPTF Hose Outlet	(F)NPTF Reel Inlet	Hose Length	
	lbs	kg	psi	bar	in	mm	in	mm	in	in	ft	m
Air* & Water* Hose Reels Working Temperature 150° F (65° C)												
SGA3650 OLP	21	10	232	16	3/8	10	.621	16	3/8	3/8	50	15
SGA3665 OLP	25	11	232	16	3/8	10	.621	16	3/8	3/8	65	20
SGA3850 OLP	23	10	232	16	1/2	13	.781	20	1/2	1/2	50	15
Water Hose Reel Garden-style hose end. Working Temperature 150° F (65° C)												
SWA3850 OLP	23	10	125	9	5/8	16	.750	19	3/4 NH	1/2	50	15
Hot Water Wash Reel Working Temperature 185° F (85° C). Working pressure is related to working temperature.												
SHA3850 OLP	22	10	232	16	1/2	13	.781	20	1/2	1/2	50	15
Chemical Delivery Hose Reel Working Temperature 140° F (60° C)												
SCA3850 OLP	22	10	232	16	1/2	13	.781	20	1/2	1/2	50	15
Oxygen/Acetylene Hose Reel Working Temperature 150° F (65° C)												
STW3450 OLP	27	12	300	21	1/4	6	.530	13	9/16"18(F)LH-RH	9/16"18(F)LH-RH	50	15

STW3450 OLP C dimension = 11.25" / 286mm. *NOTE: Air hose can be used for water on these models.

Available Options

Inlet Hose Assemblies
See page 49



Replacement Bumpers
See page 49



Replacement Hoses
See page 50

