

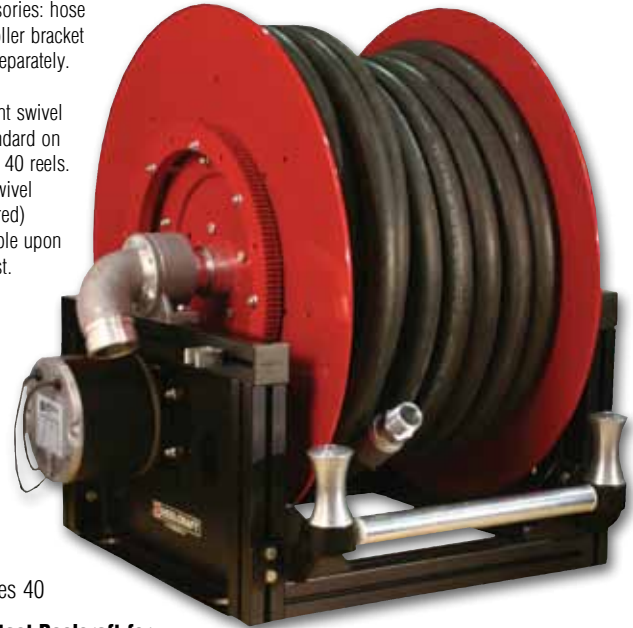
Modular Large Frame Reels Series 40 - 1", 1 1/4", 1 1/2" I.D.

Flexible Configurations

- ✓ Standard straight ball bearing swivel joint with female NPT threads and 2" victaulic groove. 90° swivel available, no extra charge.
- ✓ Hand crank, bevel crank, 12 VDC gear and chain drive rewind.
- ✓ Also available as standard, explosion proof 12VDC, 115 AC, hydraulic and pneumatic motor.
- ✓ Powder coated steel flanges included, aluminum also available as standard.
- ✓ Open spool spacer allows for easy access to reversible goose neck and open spool design allows for hose flexing under pressure without spool distortion.
- ✓ Plumbing and motor shown on left side; however, any configuration is available as a standard order.
- ✓ Standard colors are powder coat red with black frame. Other colors available upon request.
- ✓ Max pressure: 600 psi. Standard seals maximum temperature 174° F (79° C) and minimum temperature -20° F (-29° C). Extreme temperature seals maximum temperature 400° F (204° C) and minimum temperature -50° F (-45° C).
- ✓ Chain/gear guard is a recommended option, sold separately.

Shown with optional accessories: hose and roller bracket sold separately.

Straight swivel is standard on Series 40 reels. 90° swivel (pictured) available upon request.



Series 40

Contact Reelcraft for guard, switch and roller brackets.

Made in USA

Also available in standard drive types:

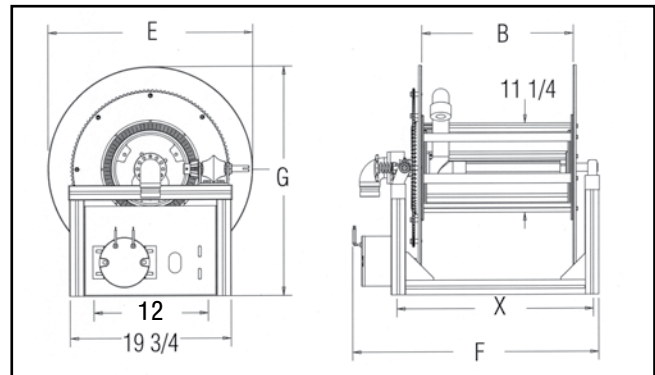
Explosion proof
12VDC
24VDC
115VAC

Pneumatic Motor
Hydraulic Motor
Auxiliary Bevel Crank

Part Number Options

4□1131□□1LC
Hose ID:
1 = 1" hose
2 = 1 1/4" hose
3 = 1 1/2" hose

Drive Type:
CG = Hand Crank
BG = Bevel Crank (only)
DH = 12VDC, Gear Drive
EH = 12VDC, Chain Drive



Hose Capacity	Series 41		Series 42		Series 43	
	in	mm	in	mm	in	mm
Hose I.D.	1	25	1 1/4	32	1 1/2	38
Hose O.D.	1.563	40	1.813	46	2.063	52

Dimensions

KEY: Bevel = bevel crank; Electric = electric motor

Model	Hose Length						B		E		F Bevel		F Electric		G		X	
	ft	m	ft	m	ft	m	in	mm	in	mm	in	mm	in	mm	in	mm	in	mm
A4□1131□□1LC	80	24	50	15	---	---	13	330	21	533	23.75	603	25.75	654	24	610	18.75	476
A4□2081□□1LC	80	24	50	15	---	---	8	203	25	635	17.75	451	19.75	502	26	660	13.75	349
A4□1171□□1LC	100	30	80	24	50	15	17	432	21	533	26.75	679	28.75	730	24	610	22.75	578
A4□2101□□1LC	100	30	80	24	50	15	10	254	25	635	19.75	502	21.75	552	26	660	15.75	400
A4□1321□□1LC	200	61	150	46	100	30	32	813	21	533	41.75	1060	43.75	1111	24	610	37.75	959
A4□2191□□1LC	200	61	150	46	100	30	19	483	25	635	28.75	730	30.75	781	26	660	24.75	629
A4□3131□□1LC	200	61	150	46	100	30	13	330	28	711	26.75	679	28.75	730	30	762	18.75	476
A4□3221□□1LC	325	99	250	76	200	61	22	559	28	711	31.75	806	33.75	857	29	737	27.75	705
A4□4171□□1LC	350	107	275	84	200	61	17	432	31	787	26.75	679	28.75	730	34	864	22.75	578

Verify application dimensions and weight requirements prior to ordering. **Installation Note:** For the warranty to be valid, a flexible connector MUST be used between the swivel and the inlet piping.