

New Product Announcement

Twin Hydraulic Mobile Base Reels Series TH9000 OMPBW

To accommodate longer lengths of twin hydraulic hose, Reelcraft has adapted a dual fluid path and incorporated it into our 9000 Series hose reels. The 9000 Series has a heavy duty spring capable of retracting rigid dual hydraulic hoses and offers the greatest amount of rigidity due to its mobile base design. Reels may be floor, ceiling or wall mounted, but are designed especially for truck mount applications. Unless otherwise specified at time of order, reels will ship in the bottom wind position.

BENEFITS

- **Corrosion Resistance** parts are individually powder coated prior to assembly for maximum protection against the elements.
- **Superior Strength** Reel is constructed of high grade industrial steel and offers the greatest amount of rigidity
- **Long Service Life** Our drive springs are made from scaleless blue spring steel and conditioned to remove any imperfections resulting in years of trouble-free operation.
- **Ease of Use** standard bottom wind configurations utilize UHMW guide rollers for effortless hose pay out and adjustable bumper stop (on models with hose).

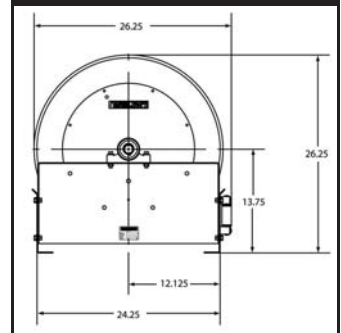
RELATED PRODUCTS

Reelcraft offers a complete line of over 2,500 standard hose, cord and cable reel models. We also have full engineering capabilities and will build to suit. For more information visit us on the web at www.reelcraft.com.



Model Shown: TH9265 OMPBW

SERIES 9000 DIMENSIONS



NOTE: Width w/ swivels 20.44"



Reelcraft Industries is
ISO 9001:2008
Certified Since 1996

MODELS WITH HOSE			HOSE CAPACITY					MODELS WITHOUT HOSE		
MODEL	WEIGHT	PRESSURE	I.D.	O.D.	(F)NPTF OUTLET	(F)NPTF INLET	LENGTH	MODEL	WEIGHT	PRESSURE
	lbs / kg	psi / bar							in / mm	in / mm
MEDIUM PRESSURE REELS										
TH9265 OMPBW	155 70	2000 138	1/2 13	.910 24	1/2 13	1/2 13	65 20	TH9200 OMPBW	120 54	3000 207

NOTE: Max temp 210°F (99°C). Reels with hose furnished standard with S.A.E. 100 R1T, one-wire braid hose.

SPECIFICATIONS

- ✓ Durable powder coat paint
- ✓ Dual Hydraulic 1/2" one-wire braid medium pressure hose (TH9265 OMPBW)
- ✓ Adjustable hose bumper (TH9265 OMPBW)
- ✓ Two high quality medium pressure hydraulic swivels
- ✓ Widened aluminum ratchet and latch pawl
- ✓ Dual pillow block bearings w/ grease fittings

Reelcraft Industries, Inc.
2842 E. Business Hwy. 30
Columbia City, IN 46725
Fax: **260-248-2605**

Toll Free Ph: **800-444-3134**
Ph: **260-248-8188**
www.reelcraft.com
reelcraft@reelcraft.com

