

Tech Bulletin

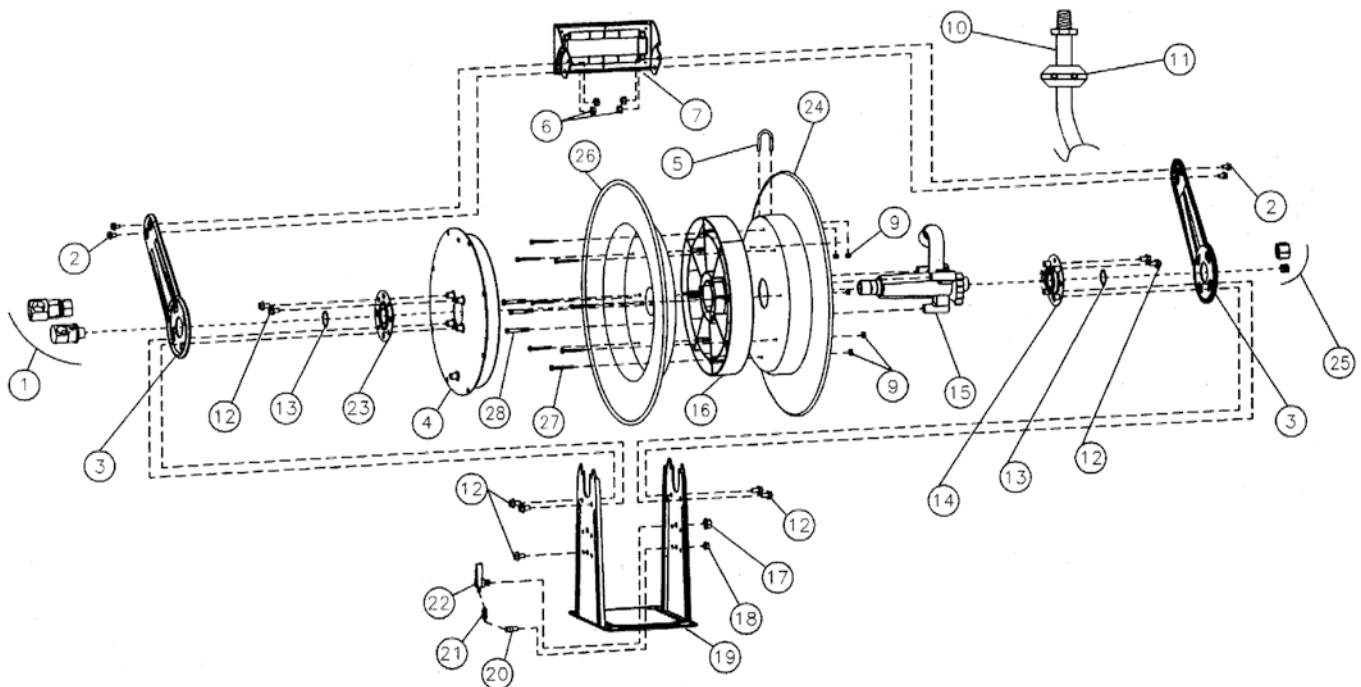
D80000 Constant Tension Requirements

Low Pressure Model Numbers:

D83000 OLP D84000 OLP
D83075 OLP D84050 OLP

The following parts should be removed from the reel to make it constant tension.

Item #	Part #	Qty.	Description
17	S280-8	1	Flange Nut (1/2-20 Non-Lock)
18	S82-15	1	Nyloc Nut
20	S393-2	1	Shoulder Screw
21	260067	1	Latch Spring
22	600675	1	Latch Pawl Assembly



Form # TB0006 Rev: 4/2012

D80000 Constant Tension Requirements

ITEM	DESCRIPTION	QTY	D83000 OLP	D83075 OLP	D84000 OLP	D84050 OLP
1	Swivel assembly	1	602026	602026	600682	600682
2	10-32 Nyloc nut	4	*	*	*	*
3	Guide arm	2	261299	261299	261299	261299
4	Spring & case assembly	1	S600645-3	S600645-3	S600645-3	S600645-3
5	U-bolt	1	*	*	*	*
6	5/16-18 locknut	6	*	*	*	*
7	Roller bracket assembly	1	600705	600705	600705	600705
9	1/4-20 locknut	9	*	*	*	*
10	Hose assembly	1	None	601026-75	None	601027-50
11	Hose bumper assembly	1	None	A3-HR1004-3	None	A4-HR1005
12	3/8-16 x 5/8" screw	9	*	*	*	*
13	1 3/8" snap ring	2	*	*	*	*
14	Flange w/bearing & nut-sert	1	600651	600651	600651	600651
15	Ratchet, flow casting	1	261590-1	261590-1	261591-1	261591-1
16	Spool spacer	1	261393	261393	261393	261393
17	1/2-20 x 5/8" hex nut	1	*	*	*	*
18	10-32 Nyloc nut	1	*	*	*	*
19	Base & upright assembly	1	600704	600704	600704	600704
20	Shoulder screw	1	S393-2	S393-2	S393-2	S393-2
21	Latch spring	1	260067	260067	260067	260067
22	Latch pawl assembly	1	600018	600018	600018	600018
23	Bearing & flange assembly	1	600644	600644	600644	600644
24	Sheave, hose opening	1	261307	261307	261307	261307
25	Pipe plug	1	S183-54	S183-54	261396	261396
26	Sheave, springcase	1	261308	261308	261308	261308
27	Screw, 1/4-20 x 2 1/2"	8	S2-411	S2-411	S2-411	S2-411
28	Screw, 5/16-18 x 2 1/2"	3	S2-511	S2-511	S2-511	S2-511

***Included in hardware kit part number 600654**