

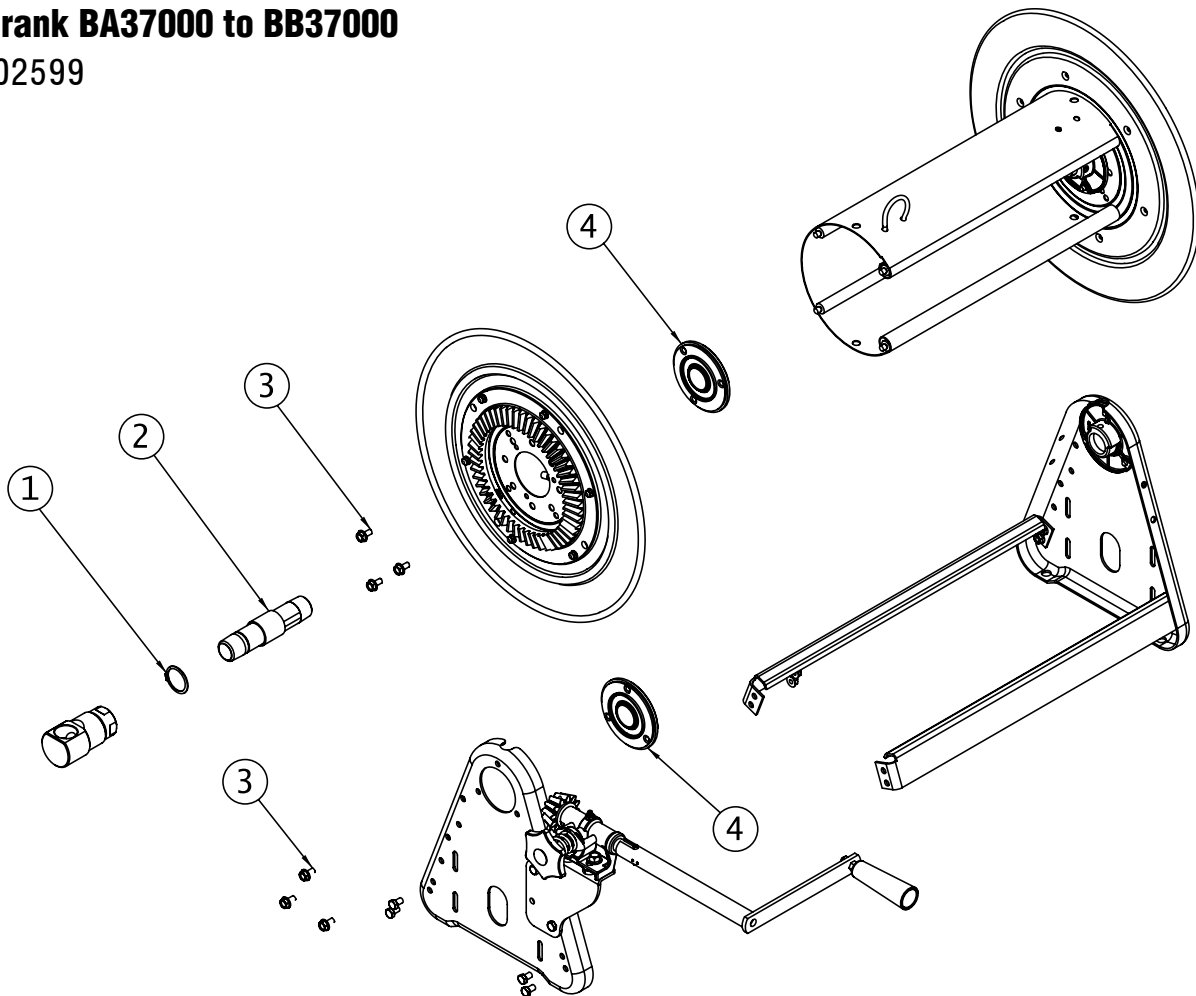
Tech Bulletin

BA/CA/EA37000 to BB/CB/EB37000 Conversion Kit & Requirements

Changes made to the design of BA/CA/EA37000 reels include: deletion of self-aligning bearing in favor of fixed oil lite bearing as well as changes to shaft, bearing and hub. For full backwards compatibility, user requires kit detailed in this tech bulletin.

Bevel Crank BA37000 to BB37000

Kit #S602599



Parts included in kit

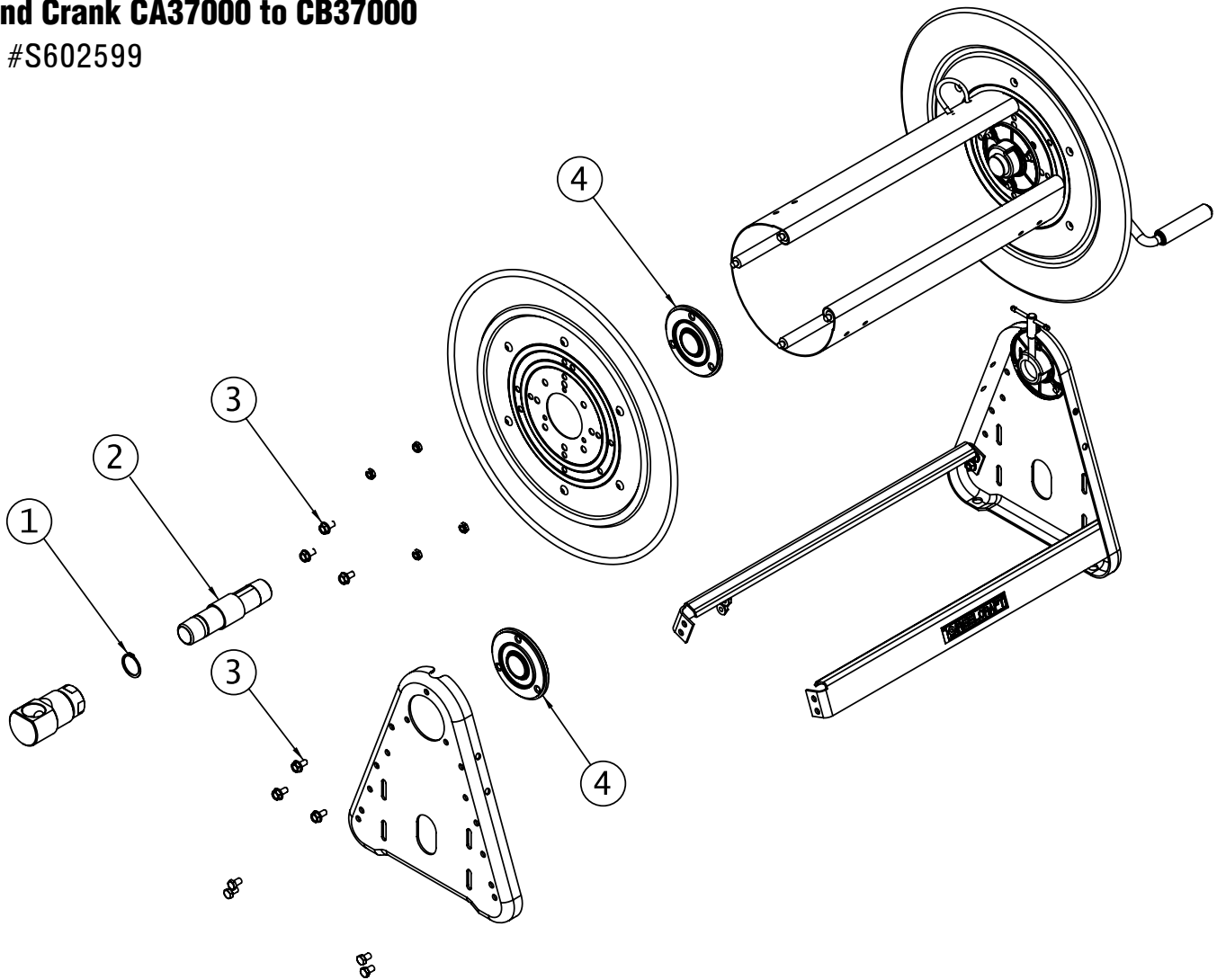
No.	Qty.	Part No.	Description
1	1	300007	Snap Ring
2	1	262658	Main Shaft
3	6	S317-31	Self Tapping Screw
4	2	602588	Hub & Bearing Assembly

Form # TB0037 Rev: 9/2013

Changes made to the design of BA/CA/EA37000 reels include: deletion of self-aligning bearing in favor of fixed oil lite bearing as well as changes to shaft, bearing and hub. For full backwards compatibility, user requires kit detailed in this tech bulletin.

Hand Crank CA37000 to CB37000

Kit #S602599



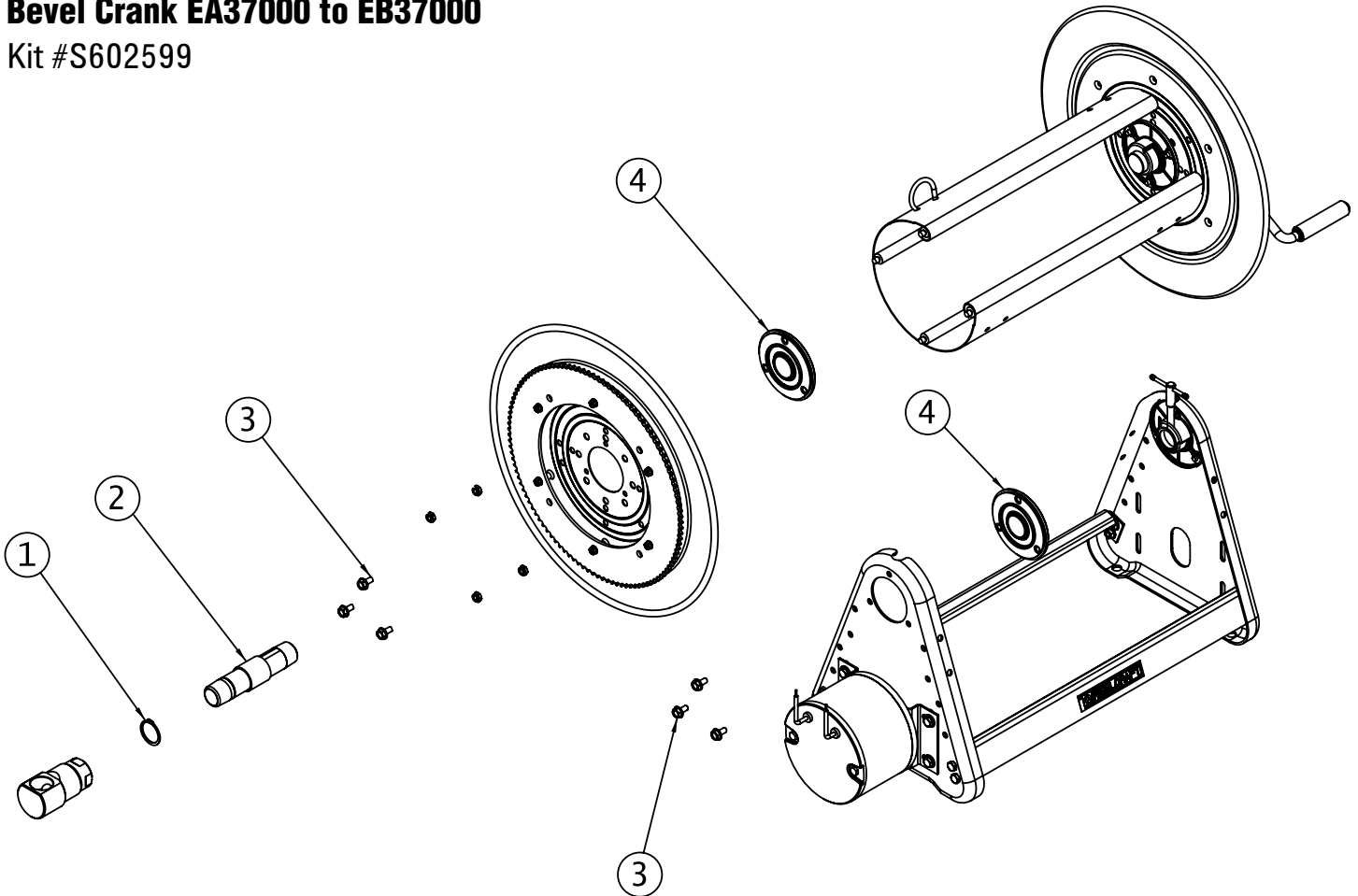
Parts included in kit

No.	Qty.	Part No.	Description
1	1	300007	Snap Ring
2	1	262658	Main Shaft
3	6	S317-31	Self Tapping Screw
4	2	602588	Hub & Bearing Assembly

Changes made to the design of BA/CA/EA37000 reels include: deletion of self-aligning bearing in favor of fixed oil lite bearing as well as changes to shaft, bearing and hub. For full backwards compatibility, user requires kit detailed in this tech bulletin.

Bevel Crank EA37000 to EB37000

Kit #S602599



Parts included in kit

No.	Qty.	Part No.	Description
1	1	300007	Snap Ring
2	1	262658	Main Shaft
3	6	S317-31	Self Tapping Screw
4	2	602588	Hub & Bearing Assembly