

Operating Instructions

Series 30000 Hose Reels

3 Way Roller Guides

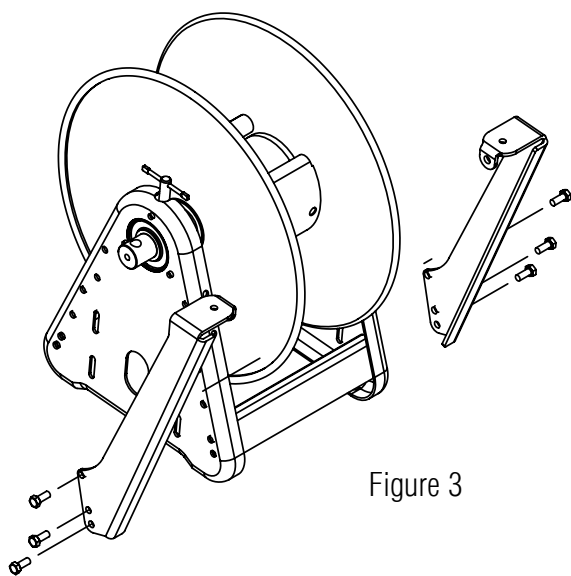
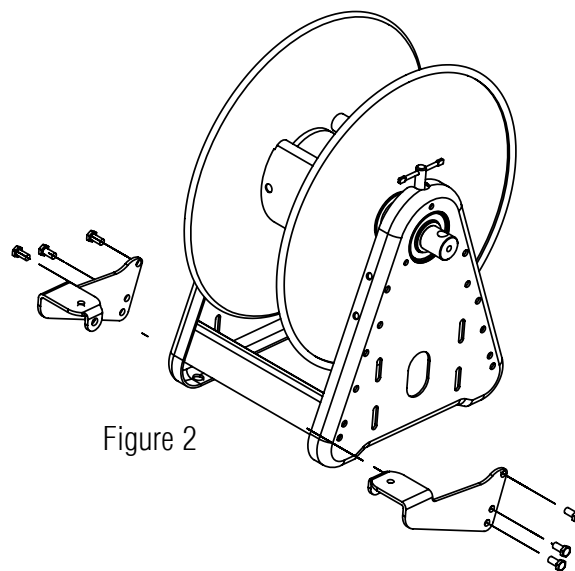
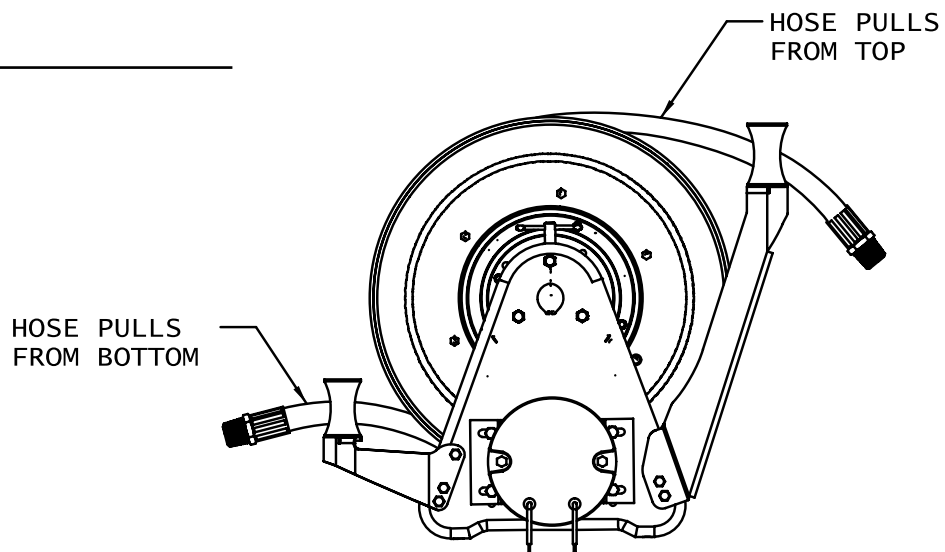
Step 1:

Unpack and inspect all components for damage. Note the way the hose pulls off of the reel. The upper rollers are to be used on the side of the reel that the hose pulls from the top of the spool. The lower rollers are to be used on the side of the reel that the hose pulls from beneath the spool.

Attach the guide arm brackets to the reel with the supplied 5/16" bolts and nuts. See figure 1 for placement on the reel, and the location of the mounting holes.

For lower roller assemblies, see figure 2.

For upper roller assemblies, see figure 3.



Form# 1116-702 Rev: 2/2015

Step 2:

Slide the roller shaft into the roller until the end of the shaft is flush with the opposite end of the roller. Slide the protruding roller shaft end into one guide arm. Then push the shaft through the other guide arm until it is centered.

Thread the locking nuts onto the ends of the roller shaft and tighten. Check that the roller turns freely on the roller shaft. If it does not spin freely, loosen the nuts. See figure 4.

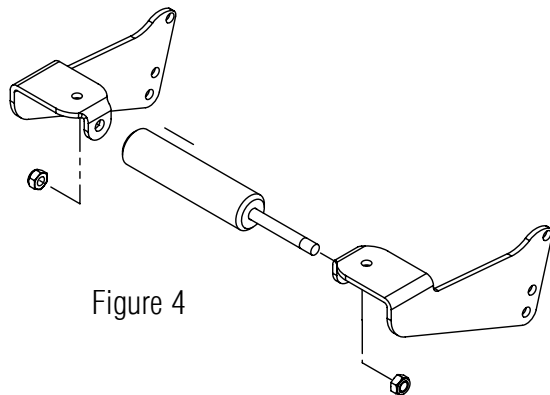


Figure 4

Step 3:

Attach the spools to the guide arms with the supplied long shoulder bolts. Slide the shoulder bolts through the spool end with the counter-bore and guide arm and secure with locking nuts. Check the spools to assure that they turn freely. See figure 5.

Figure 6 shows the completed lower roller assembly.

Figure 7 shows the completed upper roller assembly.

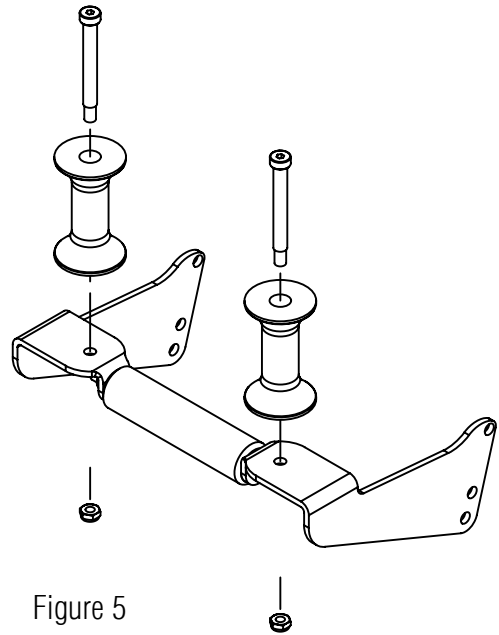


Figure 5

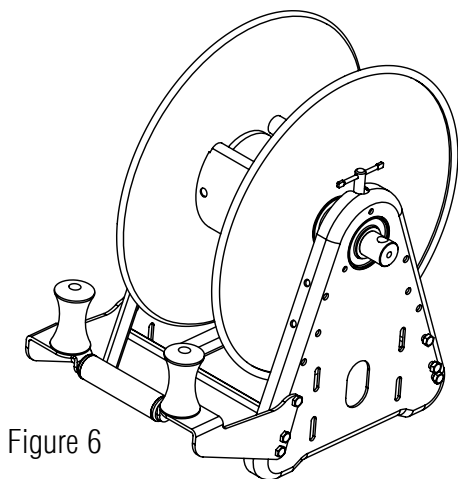


Figure 6

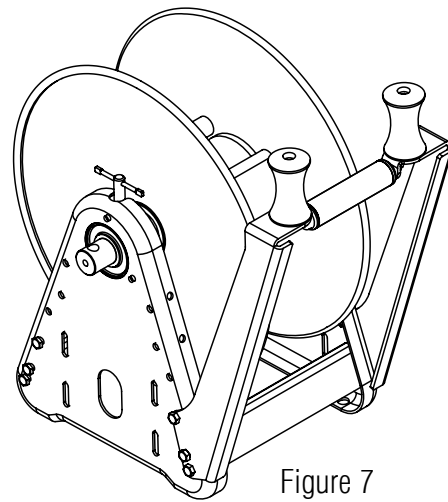
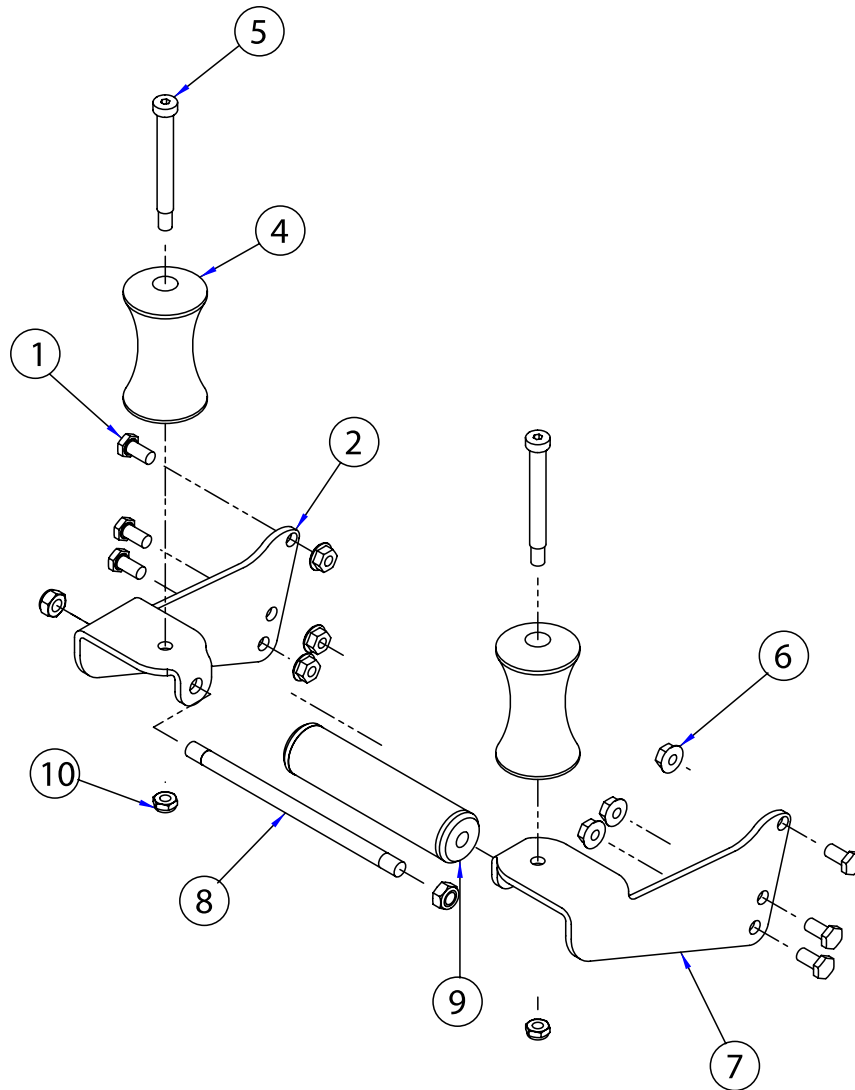


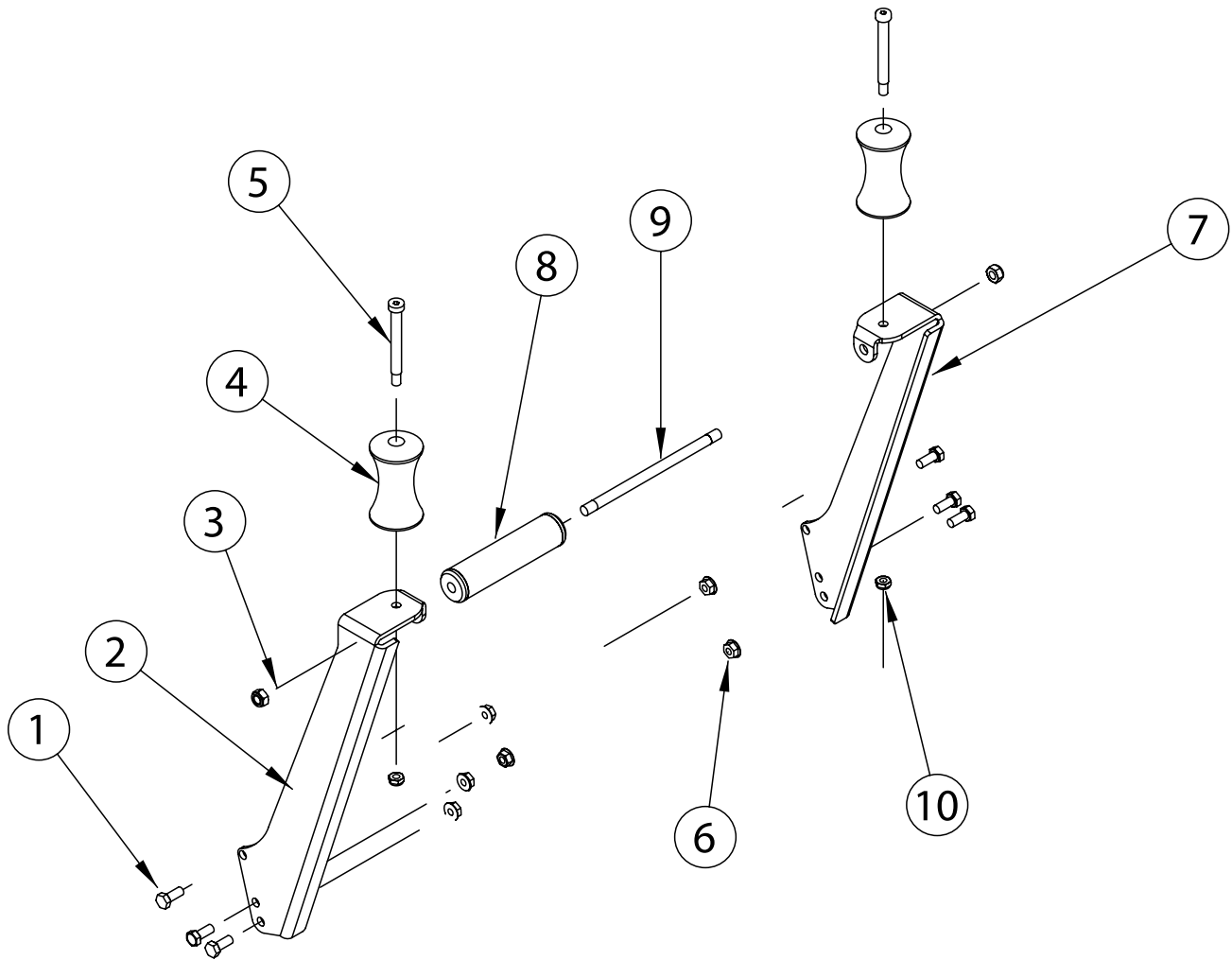
Figure 7



Bottom Wind Roller Parts List

Item #	Part #	# Req.	Description
1	S2-54	6	Bolt, 5/16-18 x 7/8"
2	262042-2	1	Guide Arm, Left
3	S85-8	2	Lock Nut, 3/8-16
4	262435	2	Spool
5	S279-123	2	Shoulder Bolt
6	300107	6	Lock Nut, 5/16-18
7	262042-1	1	Guide Arm, Right
8	By Model	1	Roller Assembly
9	By Model	1	Roller Shaft
10	S85-7	2	Lock Nut, 5/16-18

Reel Spool Width	6"	12"	18"	22"	28"
Bottom Wind Model No.	S602108-6	S602108-12	S602108-18	S602108-22	S602108-28
Top Wind Model No.	S602109-6	S602109-12	S602109-18	S602109-22	S602109-28
Roller No. (Item #9)	262436-5.218	262436-11.218	262436-17.218	262436-21.218	262436-26.218
Shaft No. (Item #10)	260537-9	260537-10	260537-11	260537-12	260537-5



Top Wind Roller Parts List

Item #	Part #	# Req.	Description
1	S2-54	4	Bolt, 5/16-18 x 7/8"
2	262043-2	1	Guide Arm, Left
3	S85-8	2	Lock Nut, 3/8-16
4	262435	2	Spool
5	S279-123	2	Shoulder, Bolt
6	300107	4	Lock Nut, 5/16-18
7	262043-1	1	Guide Arm, Right
8	By Model	1	Roller Assembly
9	By Model	1	Roller Shaft
10	S85-7	2	Lock Nut, 5/16-18