

Operating Instructions

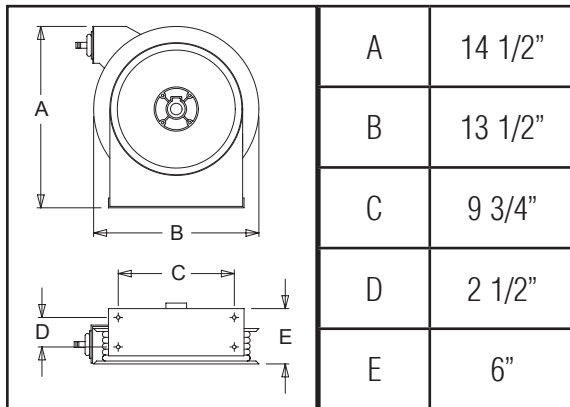
Series TH5000 Spring Driven Hose Reels

Medium Pressure Model Numbers:

TH5400 OMP



Dimensions



Four 5/16" diameter mounting holes

SAFETY

1. Do not use reel at higher pressures or temperatures than listed on the back of this bulletin.
2. Remove all spring tension before beginning disassembly process.

INSTALLATION:

A flexible hose connection must be used between the hose reel inlet and the source of supply to prevent possible misalignment and binding.

MOUNTING:

The hose reel is equipped with a universal mounting bracket so that it can be mounted on the floor, wall or ceiling; whichever place is convenient. The hose guide arm can be moved to the position desired by removing the screws fastening the guide bracket to the reel base. Shift the guide arm bracket so the hose comes off the reel at the desired position and replace the screws. **NOTE:** For proper installation in wall mount applications, ensure reel is mounted with inlet on the right as you are facing the reel. Failing to do so could cause latching issues.

LUBRICATION:

Hose reel spring and bearings are factory lubricated and require no further lubrication.

REPLACING HOSE:

1. Wind spool flange clockwise-facing swivel-until spring is tight.
2. Back off three turns and latch.
3. Insert hose through roller guide.
4. Connect hose fitting to swivel joint and secure hose with clamps.

ADJUSTMENTS:

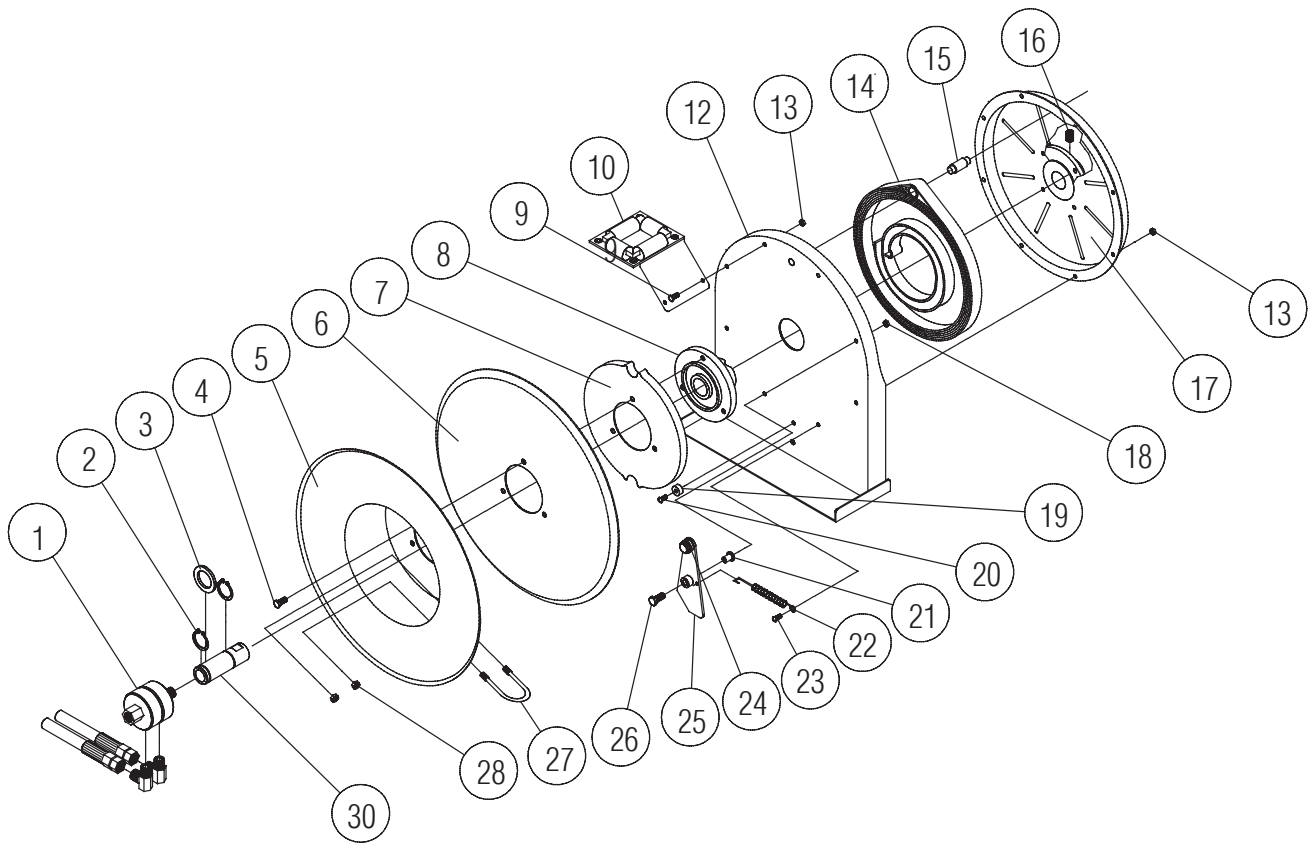
To adjust spring tension, add or remove wraps of hose from the spool, one wrap at a time until desired tension is obtained.

REPAIRS:

Extensive repairs should be performed only by an authorized serviceman or factory to avoid damage which may void your warranty. Remove all spring tension before beginning disassembly process.

Form# 1150-1003 Rev: 2/2023

Series TH5000 Spring Driven Hose Reels



| Item # | Part # | # Req. | Description | Item # | Part # | # Req. | Description |
|--------|-----------|--------|-----------------------------|--------|----------|--------|----------------------------|
| 1 | S600996-1 | 1 | Swivel Assembly | 17 | S500103 | 1 | Spring Case & Hub Assembly |
| 2 | 300031 | 2 | 1" Snap Ring | 18 | S82-15 | 1 | 10-32 x 3/8" Nyloc Nut |
| 3 | 300034 | 2 | Spacing Washer | 19 | S400021 | 1 | Latch Bumper |
| 4 | S295-102 | 3 | Self Tap Screw Plastite | 20 | S32-136 | 1 | 10-24 x 3/8" Screw |
| 5 | 260022 | 1 | Reel Sheave | 21 | S400012 | 1 | Latch Bushing |
| 6 | 500006 | 1 | Reel Sheave Disk | 22 | S400018 | 1 | Latch Spring |
| 7 | S500019 | 1 | Latch Cam | 23 | 300001 | 5 | 10-32 x 3/8" Mach. Screw |
| 8 | S260648 | 1 | Spring Arbor | 24 | 400020 | 1 | O'Ring |
| 9 | 300002 | 2 | 10-32 x 1/2" Machine Screw | 25 | S400109 | 1 | Latch Plate Assembly |
| 10 | S500107 | 1 | Guide Arm & Roller Assembly | 26 | 300035 | 1 | 10-32 x 1" Machine Screw |
| 12 | 500101 | 1 | Base Assembly | 27 | 1-117440 | 1 | U-Bolt Hose Clamp |
| 13 | S300011 | 7 | 10-32 Hex Nut | 28 | 300070 | 2 | 1/4-20 Nyloc Nut |
| 14 | S507287 | 1 | Drive Spring Assembly | 29 | 300039 | 2 | Washer |
| 15 | S261360 | 1 | Spring Case Stud | 30 | 602306 | 1 | Main Shaft |
| 16 | 300006 | 1 | 3/8-16 x 1/2" Set Screw | | | | |