

# Operating Instructions

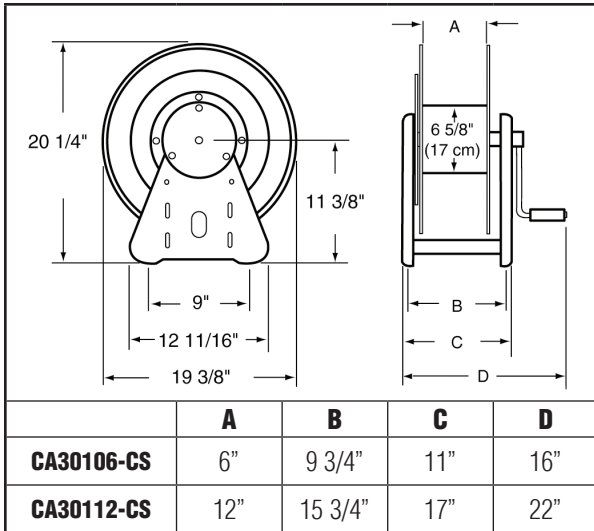
## Series 30000-CS Hand Crank Cord Reels

Cable Storage Model Numbers:

CA30106-CS

CA30112-CS

### Dimensions



Four 1/2" diameter mounting holes



### IMPORTANT

Read this manual carefully before installing, operating or servicing this equipment.

### INSPECTION

Unpack and inspect reel for damage. Turn the reel by hand to check for smooth operation.

### OPERATIONAL INSTRUCTIONS

**WARNING:** Power source must be disconnected before winding or unwinding cord back onto reel.

### INSTALLATION INSTRUCTIONS

**NOTE:** Install on flat surfaces to prevent reel from binding.

1. Two 1/2" diameter mounting holes are located at the base of each side support panel (2 each). Mount reel using four customer supplied bolts. Tighten bolts securely to ensure a solid, rigid attachment. (See figure 1)
2. Inlet cord length may be adjusted by loosening clamp and pushing desired length thru shaft. After cable is on reel, push excess inlet cord into shaft for storage. (See figure 2)

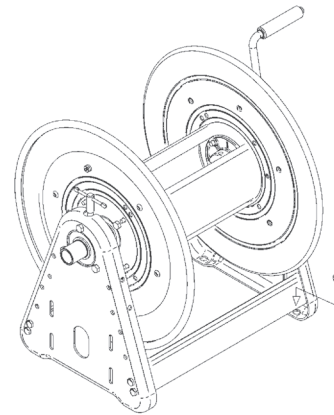


Figure 1

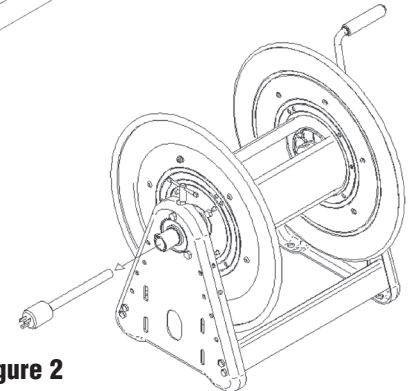
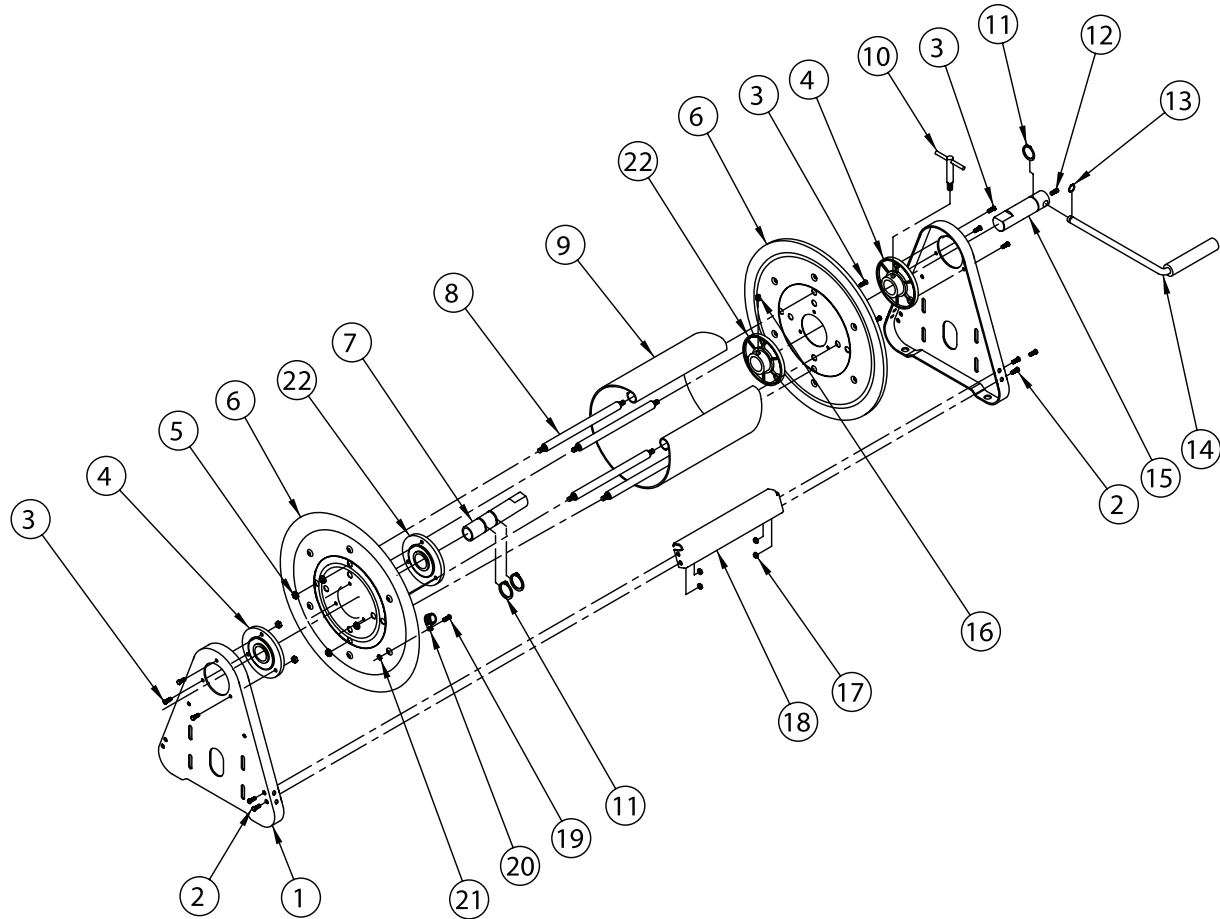


Figure 2

Form# 1164-205 Rev: 5/2018



Item #	Description	Qty.	CA30106-CS	CA30112-CS
1	Side Frame	2	260403	260403
2	5/16-18 x 1/2" Screw	8	S2-51	S2-51
3	Self Tapping Screw	9	S317-31	S317-31
4	Hub & Bushing Assembly	2	S600640	S600640
5	Nyloc Nut	8	S85-7	S85-7
6	Spool Flange	2	S260399-3	S260399-3
7	Support Shaft	1	261283	261283
8	Tie Rod	4	260402-100	260402-200
9	Spool Spacer	1	260401-1	260401-2
10	Lock Handle Assembly	1	S280109	S280109
11	Snap Ring	3	300007	300007
12	Set Screw	1	300089	300089
13	Snap Ring	1	S137-4	S137-4
14	Crank Handle Assembly	1	S600102	S600102
15	Support Shaft	1	602242	602242
16	Set Screw	1	300006	300006
17	Lock Nut	8	300107	300107
18	Cross Brace	2	261501-1	261501-2
19	Machine Screw	1	300001	300001
20	Cable Clamp	1	261541-1	261541-1
21	Flange Nut	1	S79-3	S79-3
22	Collar	2	602688	602688