

Operating Instructions

Series 30000 Hand Crank Hose Reels

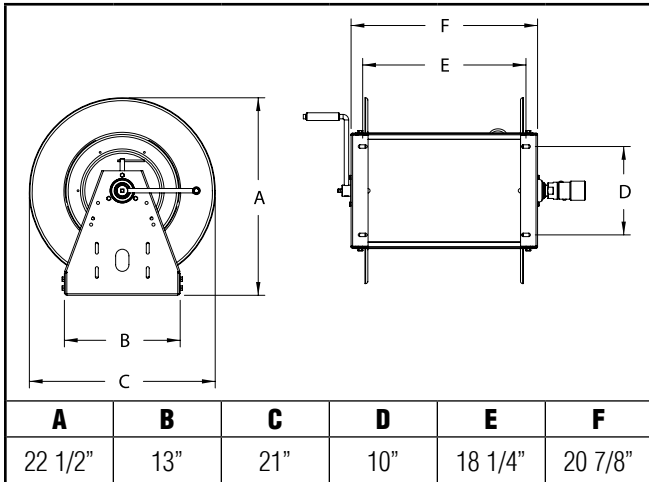
Stainless Steel Low Pressure Model Numbers:

[HS37000 L](#)

[HS37000 L-S](#)



Dimensions



IMPORTANT

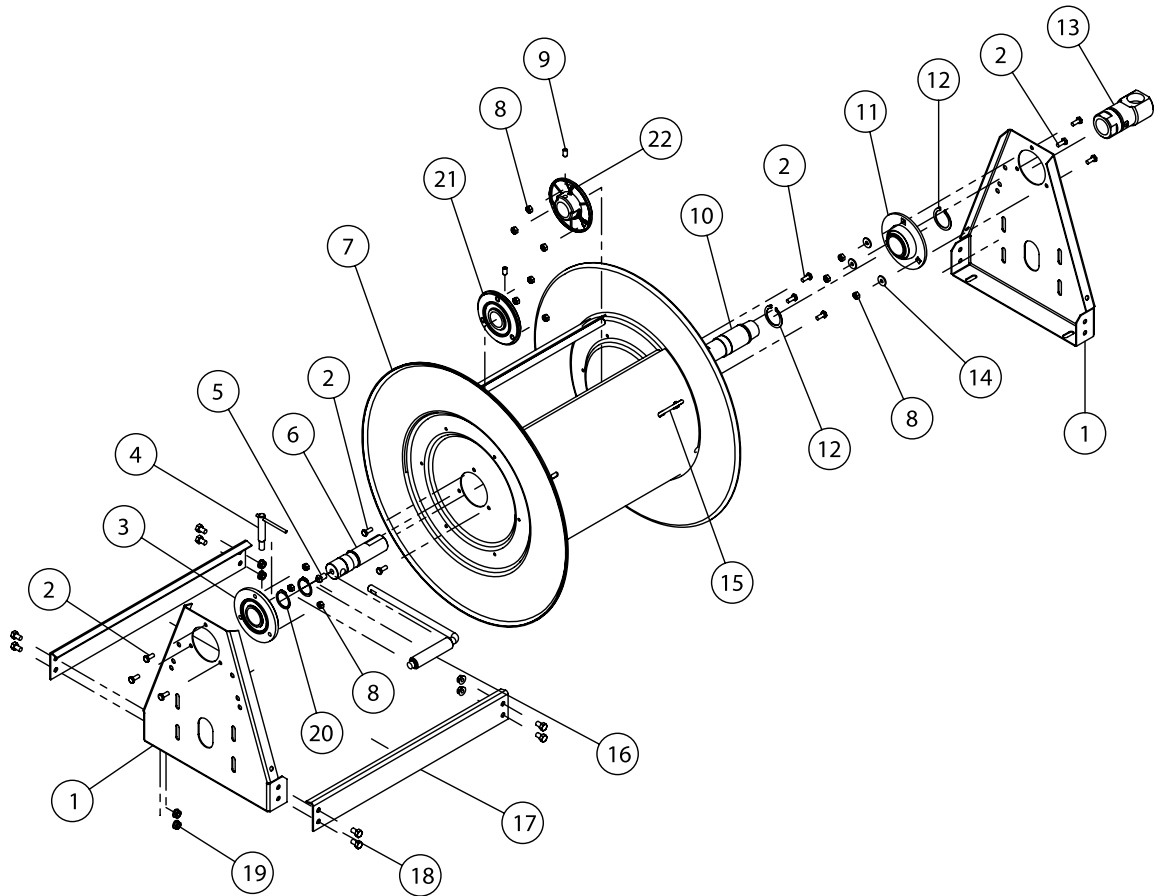
Read this manual carefully before installing, operating or servicing this equipment.

SAFETY

Personal injury and/or equipment damage may result if proper safety precautions are not observed.

- Ensure that reel is properly installed before connecting input and output hoses.
- Bleed fluid/gas pressure from system before servicing reel.
- Before connecting reel to supply line, ensure that pressure does not exceed maximum working pressure rating of reel.
- Remember, even low pressure is very dangerous and can cause personal injury or death.
- Be aware of machinery and personnel in work area.
- If a leak occurs in the hose or reel, remove system pressure immediately.
- Pull hose from reel by grasping the hose itself, not the control valve.
- Ensure that reel, hose, and equipment being serviced are properly grounded. Use an ohmmeter to check ground continuity.
- If reel ceases to unwind or rewind, remove system pressure immediately. Do not pull or jerk on hose!
- Treat and respect the hose reel as any other piece of machinery, observing all common safety practices.

Form# 1182-106 Rev: 5/2018



Item #	Description	Qty.	HS37000 L	HS37000 L-S
1	SIDE FRAME	2	262089	262089
2	HEX CAP SCREW	12	S347-42	S347-42
3	HUB BEARING	1	262126	262126
4	LOCK HANDLE ASS'Y	1	600146	600146
5	SET SCREW	1	S57-600	S57-600
6	DRIVE SHAFT	1	262092	262092
7	SPOOL ASS'Y	1	602128	602128
8	NUT	12	S73-4	S73-4
9	SET SCREW	2	S47-53	S47-53
10	INLET SHAFT	1	262090	262090
11	SELF ALIGN BEARING	1	602129	602129
12	SNAP RING	2	S147-36	S147-36
13	SWIVEL ASS'Y	1	602139	602139
14	WASHER	3	S108-4	S108-4
15	U-BOLT	1	261483	261483
16	CRANK AND HANDLE ASS'Y	1	S600148	S600148
17	CROSS BRACE	2	262094	262094
18	HEX CAP SCREW	8	S347-51	S347-51
19	NUT	8	S73-5	S73-5
20	SNAP RING	2	S147-26	S147-26
21	HUB AND BUSHING ASS'Y	1	S600640	600666
22	HUB BEARING	1	S600640	260415