

# Operating Instructions

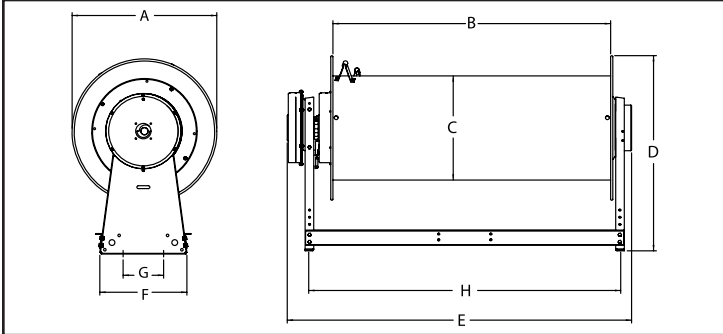
## Spring Driven Exhaust Hose Reels

8" Right Side Outlet Hose Model Numbers:

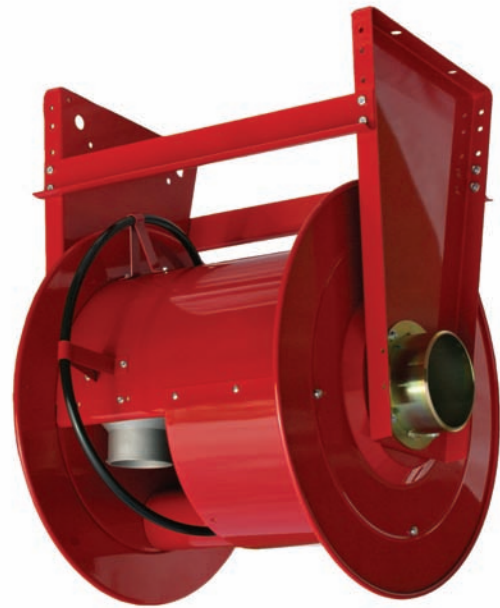
VR832-00-01-00 VR832-04-01-00 VR848-04-01-00

### Dimensions

	A	B	C	D	E	F	G	H
<b>VR832-00-01-00</b>	25"	32"	18"	33 3/4"	40 1/2"	15"	7"	37 5/8"
<b>VR832-04-01-00</b>	25"	32"	18"	33 3/4"	43 1/2"	15"	7"	37 5/8"
<b>VR848-04-01-00</b>	25"	48"	18"	33 3/4"	59 1/2"	15"	7"	53 5/8"



Four 9/16" diameter x 3/4" mounting slots



### Safety

Personal injury and/or equipment damage may result if proper safety precautions are not observed.

- Ensure that reel is properly installed before connecting input and output hoses.
- Ensure that working pressure and temperature do not exceed rating of reel.
- Be aware of machinery and personnel in work area.
- If a leak occurs in the hose or reel, remove from service immediately.
- A high tension spring assembly is contained within the reel. Exercise extreme caution.
- If reel ceases to unwind or rewind, remove from service immediately. Do not pull or jerk on hose!
- Other than replacing the hoses, refer all other repairs only to an authorized service person or directly to Reelcraft. Failure to do so may void the warranty.

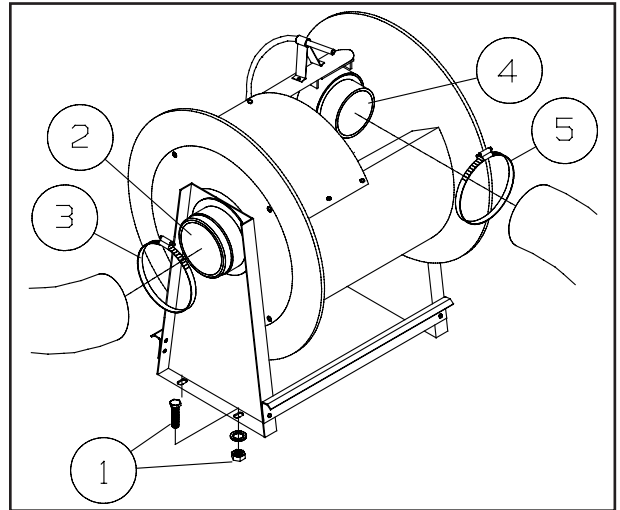
### Mounting

1. Position reel on floor, wall, or ceiling. Secure into place using four (customer supplied) bolts (1).

### Connecting the Hoses

1. Turn reel until spring is tight. Back off three turns, then latch.
2. Position input hose to input adapter (2). Secure into place with hose clamp (3).
3. Position output hose to output adapter (4). Secure into place with hose clamp (5).
4. Release latch and wind hose onto reel.

### Installation Instructions



### Adjustments

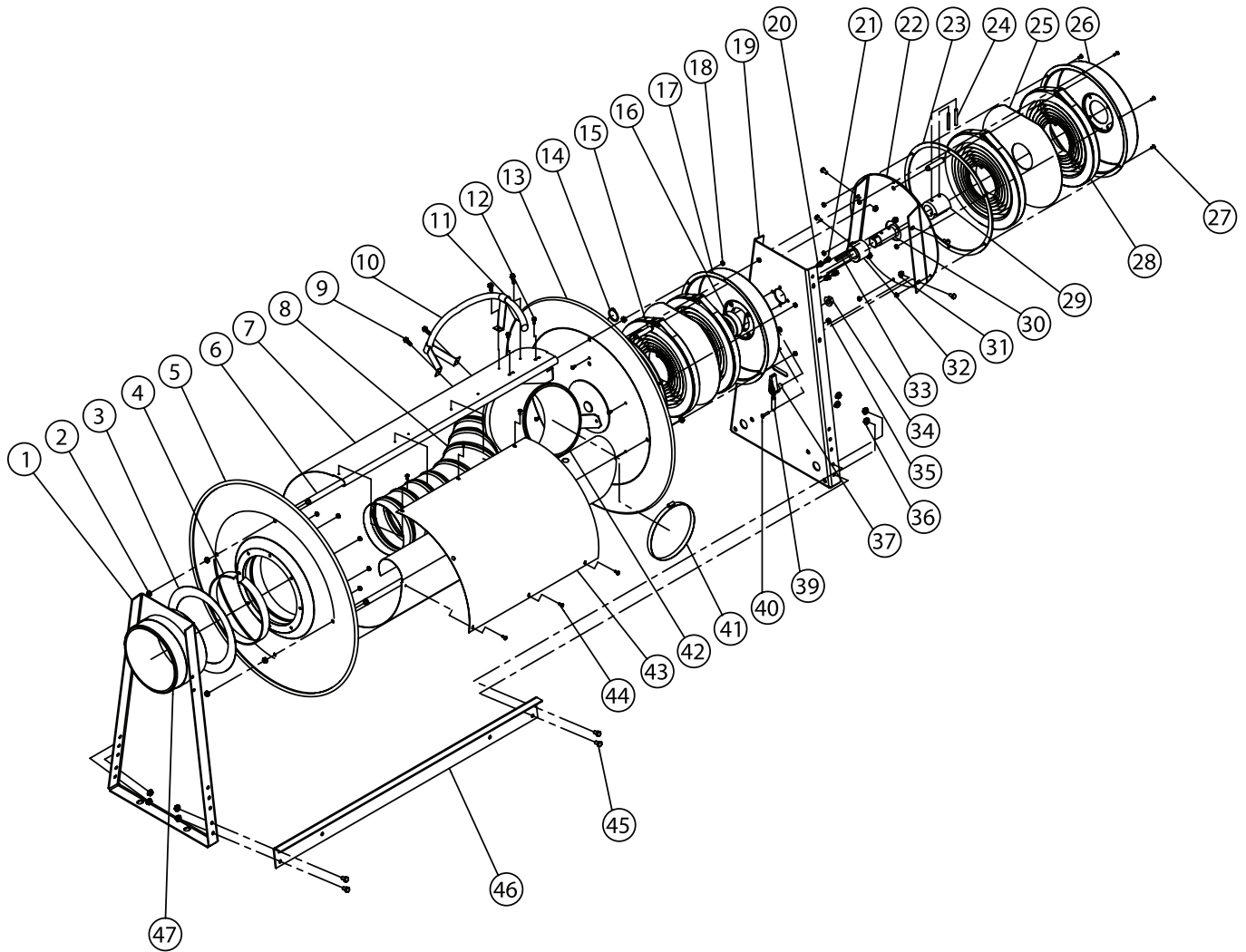
**WARNING:** Use extreme caution; reel under tension. Avoid releasing latch mechanism.

If necessary, adjust spring tension on reel by adding or removing wraps of hose from spool, one wrap at a time, until desired tension is obtained. Add wraps to increase tension. Remove wraps to decrease tension.

**CAUTION:** When adding wraps of hose, be careful not to exceed the winding mechanism's spring capacity. Add just enough wraps of hose to achieve the desired tension. Damage to the winding mechanism will result if spring is over-tensioned.

Form# 1227-911 Rev. 3/2017

# Spring Driven Exhaust Hose Reels



ITEM	PART #	QTY	DESCRIPTION	ITEM	DESCRIPTION	VR832-00-01-00	REQ'D	VR832-04-01-00	REQ'D	VR848-04-01-00	REQ'D
1	602068	1	Side Frame Assembly	6	Tie Rod	260402-800	4	260402-800	4	260402-150	4
2	S85-7	8	Nut, 5/16-18	7	Seave Spacer	260772-R	1	260772-R	1	262363-R	1
3	262034	1	Washer	15	Spring Case Stud	None	N/A	260174	2	260174	2
4	262304	1	Wear Washer	18	Nut, 10-32 Double Serrated	300011	14	300011	20	300011	20
5	602252	1	Flange Assembly	21	Hex Cap Screw, 1/4-20 X 1/2" LG	S56-41	4	S56-41	8	S56-41	8
8	262286	1	Connecting Tube	22	Auxiliray Spring Case Cover	None	N/A	602397	1	602397	1
9	S282-88	4	Hex Head Screw, 1/4 X 3/4"	23	Spring Case Gasket	260069	1	260069	2	260069	2
10	260177-34	1	Tube Guide	24	Spring Pin	None	N/A	912328-2	2	912328-2	2
11	260178	2	Guide Supports	25	Spring Spacer	None	N/A	260165	2	260165	2
12	S294-27	7	Screw 10-16 X 5/8" LG	26	Spring Case	260169	1	260169	2	260169	2
13	600986	1	Flange Assembly	27	Machine Screw, 10-32 X 1/2"	300002	6	300002	12	300002	12
14	300007	1	Snap Ring	28	Drive Spring Assembly	None	N/A	600045	4	600045	4
16	602458	1	Arbor Assembly	29	Arbor Spring	None	N/A	262568	1	262568	1
17	600044	1	Spring Case Assembly	30	Arbor Shaft	None	N/A	262289	1	262289	1
19	261976	1	Side Frame	31	Nut, 1/4-20	None	N/A	S281-4	4	S281-4	4
20	902016	4	Lock Washer 1/4" Medium	32	Collar	None	N/A	262290	1	262290	1
36	300107	8	Nut, 5/16-18	33	Key, 1/4" X 1/4" X 1" LG	None	N/A	390163-1	1	390163-1	1
41	262286	4	Hose Clamps	34	Nut, 1/2-20	None	N/A	S280-8	1	S280-8	1
42	602075-R-35	1	Reducer Assembly	35	Nut, 10-32 X 7/8"	None	N/A	S82-15	1	S82-15	1
45	S2-51	8	Screw 5/16-18 X 1/2" LG	37	Latch Pawl	None	N/A	600018	1	600018	1
47	262292	1	8" Adapter	39	Latch Spring	None	N/A	260067	1	260067	1
	602764	1	Bumper Stop	40	10-32 Shoulder Screw	None	N/A	S393-2	1	S393-2	1
				43	Hose Support	260748	1	260748	1	262363	1
				44	Self Tapping Screw, 10-3/8	S285-24	6	S285-24	6	S285-24	10
				46	Cross Brace	262387-5	2	262387-5	2	262387-7	2