

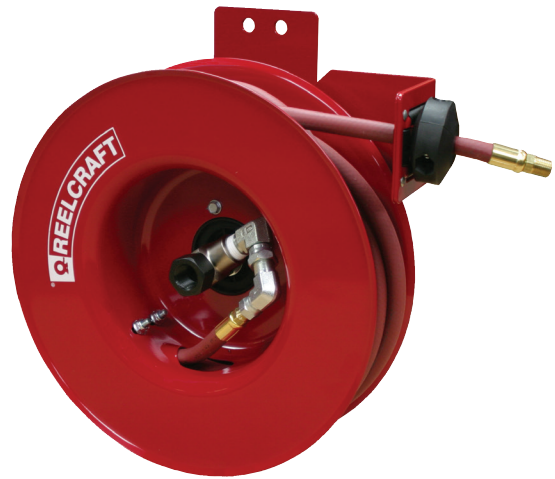
Operating Instructions

Series 5005 Spring Driven Hose Reels

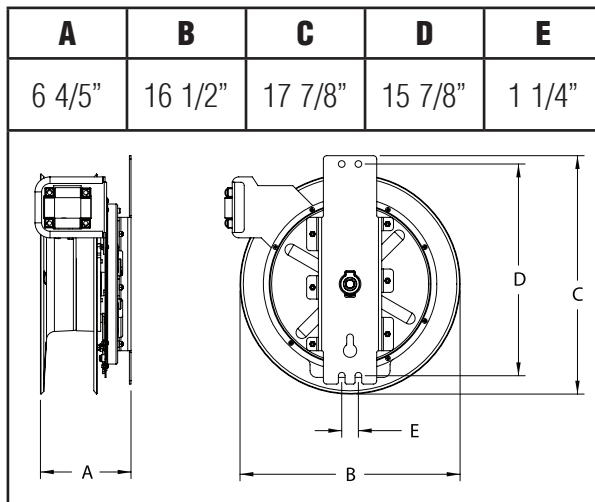
Side Mount Model Numbers:

A5850 OLPSMR

A5850 OLPSML



Dimensions



SAFETY

1. Do not use reel at higher pressures or temperatures than listed on the back of this bulletin.
2. Remove all spring tension before beginning disassembly process.

INSTALLATION:

A flexible hose connection must be used between the hose reel inlet and the source of supply to prevent possible misalignment and binding.

MOUNTING:

The hose reel is equipped with a universal mounting bracket so that it can be mounted on the floor, wall or ceiling; whichever place is convenient. The hose guide arm can be moved to the position desired by removing the screws fastening the guide bracket to the reel base. Shift the guide arm bracket so the hose comes off the reel at the desired position and replace the screws.

LUBRICATION:

Hose reel spring and bearings are factory lubricated and require no further lubrication.

REPLACING HOSE:

1. Wind spool flange clockwise-facing swivel-until spring is tight.
2. Back off three turns and latch.
3. Insert hose through roller guide.
4. Connect hose fitting to swivel joint and secure hose with clamps.

ADJUSTMENTS:

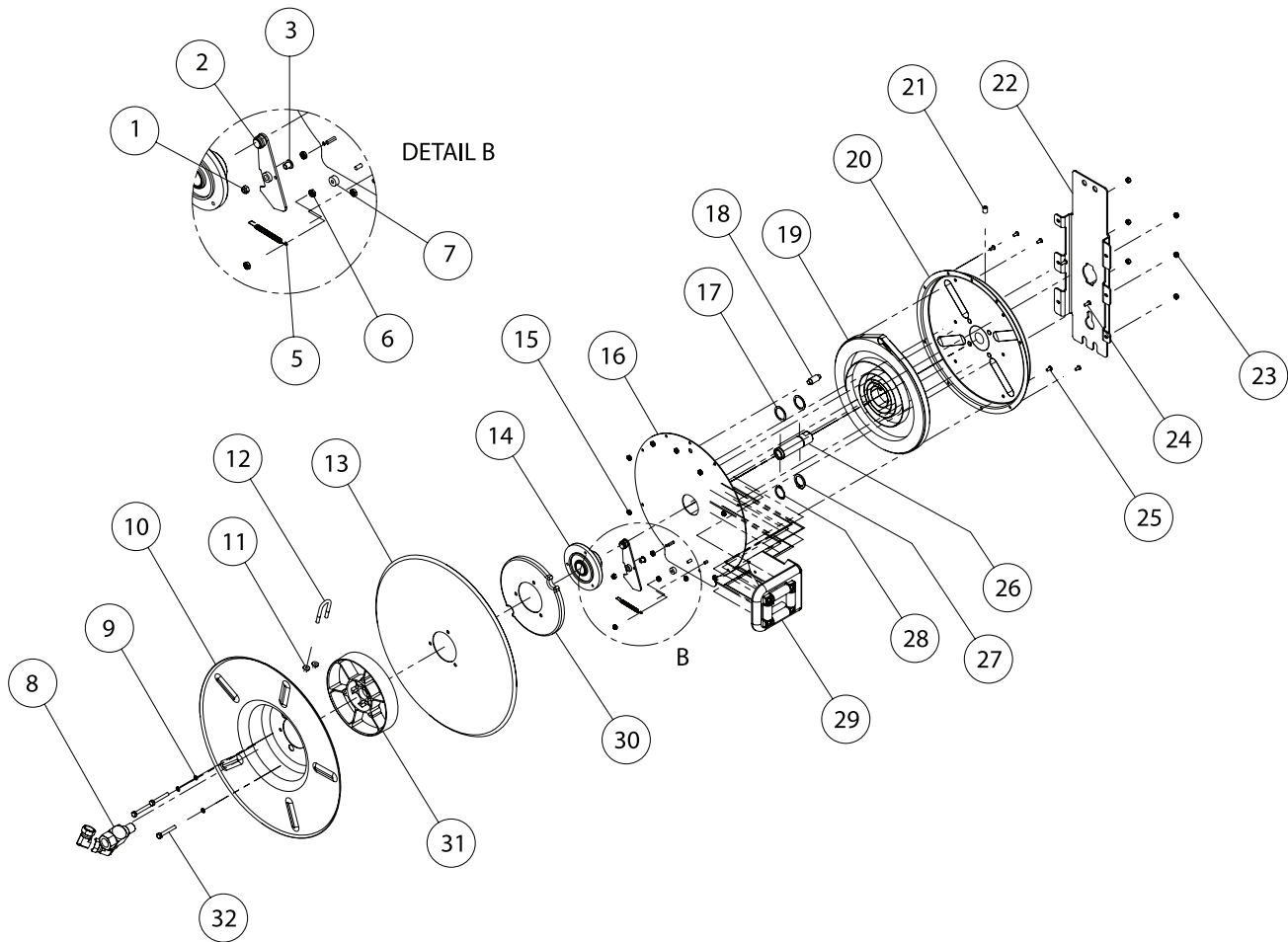
To adjust spring tension, add or remove wraps of hose from the spool, one wrap at a time until desired tension is obtained.

REPAIRS:

Extensive repairs should be performed only by an authorized serviceman or factory to avoid damage which may void your warranty. Remove all spring tension before beginning disassembly process.

Form# 1233-1011 Rev. 3/2018

Series 5005 Spring Driven Hose Reels



Item #	Part #	# Req.	Description	Item #	Part #	# Req.	Description	Item #	Part #	# Req.	Description
1	S82-15	17	Lock Nut	12	3-117440	1	U-Bolt	22	262489	1	Side Mount Plate
2	S400109	1	Latch Plate Assembly	13	260151	1	Sheave Disc	23	S82-15	6	Hex Lock Nut
3	S400012	1	Latch Bushing	14	S400017	1	Spring Arbor	24	300002	9	Machine Screw
5	S400018	1	Latch Plate Spring	15	S300011	10	Hex Lock Nut	26	262518	1	Main Shaft
6	S300011	1	Hex Lock Nut	16	602439	1	Spring Case Cover	27	S137-12	1	Snap Ring
7	S400021	1	Latch Plate Bumper	17	300034	2	Wear Washer	28	300031	1	Snap Ring
8	602444	1	Swivel Assembly	18	S261360	1	Spring Case Stud	29	S600247	1	Guide Arm
9	902016	3	Lock Washer	19	S600050	1	Drive Spring Assembly	30	S500019	1	Latch Cam
10	3-117440	1	Sheave Flange	20	602436	1	Spring Case Assembly	31	260445	1	Spool Spacer
11	261650-1	2	Lock Nut	21	300006	1	Set Screw	32	S2-48	3	Hex Cap Screw

Item #	Description	# Req.	A5850 OLPSMR	A5850 OLPSML
	Hose Assembly	1	601022-50	601022-50
	Bumper Stop Assembly	1	2-HR1004-3	2-HR1004-3
	Max. Operating Pressure		300 PSI	300 PSI
	Max. Operating Temperature		150 °F	150 °F