

Operating Instructions

Series G9000 Spring Driven Hose Reels

Low and Medium Pressure Model Numbers:

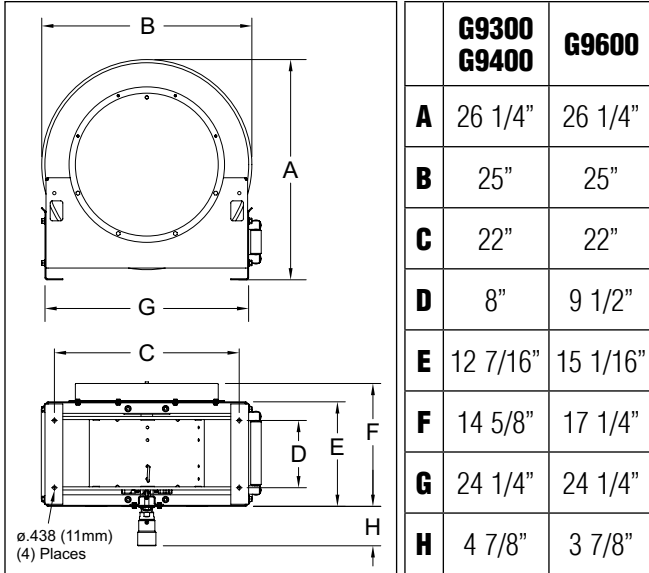
[G9600 OLPBW](#)

[G9300 OMPBW](#)

[G9400 OMPBW](#)



Dimensions



SAFETY

1. Do not use reel at higher pressures or temperatures than listed on the back of this bulletin.
2. Remove all spring tension before beginning disassembly process.
3. Reel spring motor case is permanently sealed. Any attempt to remove the spring motor may cause serious injury.

INSTALLATION:

The swivel union is packed separately in the reel carton, use teflon tape to assure a satisfactory seal. A flexible hose connection must be used between the hose reel inlet and the source of supply to prevent possible misalignment and binding. Non flexible connections will void the warranty, pressure rating of inlet hose must be equal to or more than the pressure rating of the reel. Consult factory for proper spring when installing reels above 16 ft.

LUBRICATION:

Hose reel spring and bearings are factory lubricated and require no further lubrication.

REPLACING HOSE:

1. Wind spool flange clockwise-facing swivel-until spring is tight.
2. Back off three turns and latch.
3. Insert hose through roller guide.
4. Connect hose fitting to female outlet ell.

ADJUSTMENTS:

To adjust spring tension, add or remove wraps of hose from the spool, one wrap at a time until desired tension is obtained.

REPAIRS:

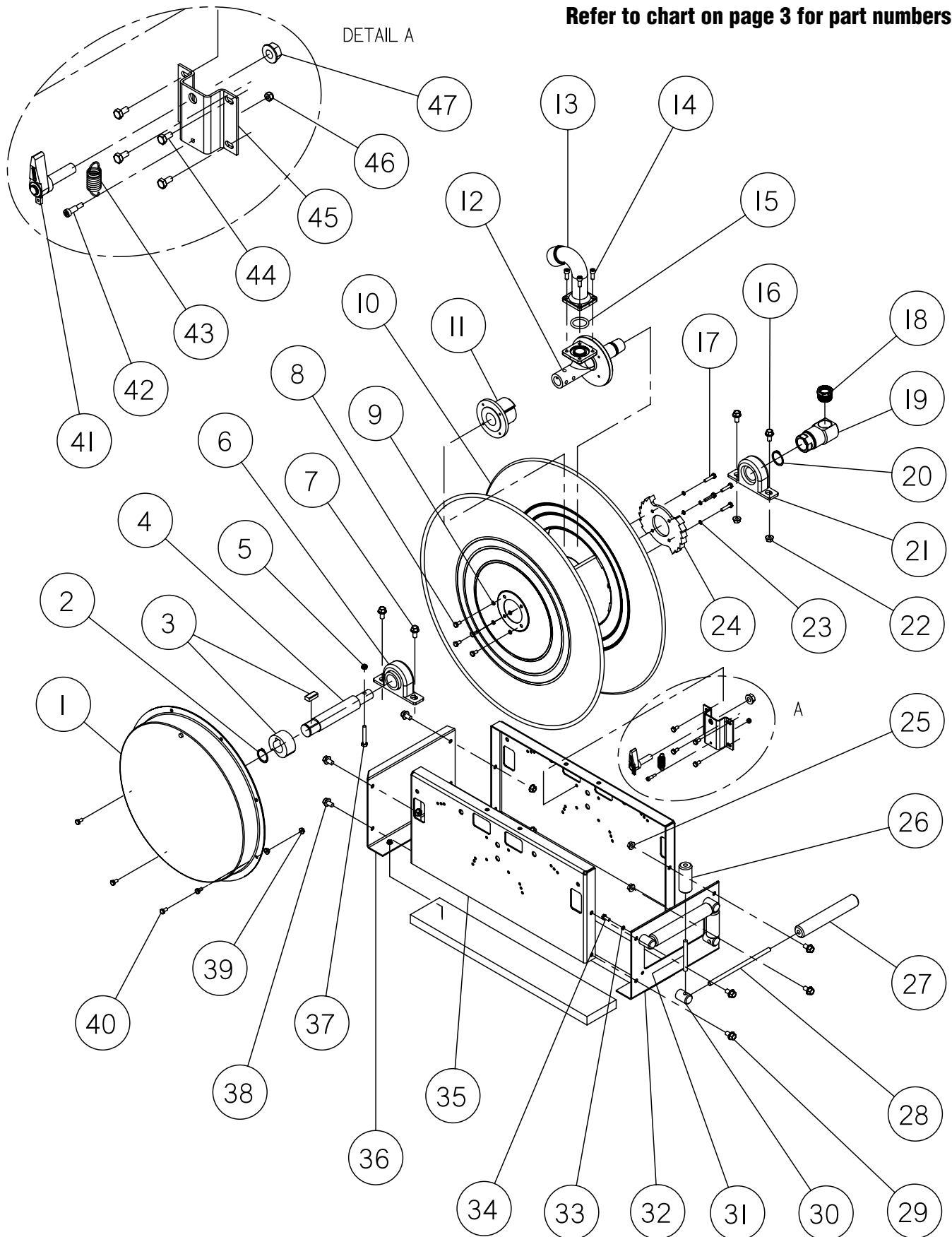
Extensive repairs should be performed only by an authorized serviceman or factory to avoid damage which may void your warranty. Remove all spring tension before beginning disassembly process.

MODIFICATION:

Hose latching mechanism can be removed for constant tension applications.

Form# 1297-217 Rev: 6/2018

Refer to chart on page 3 for part numbers

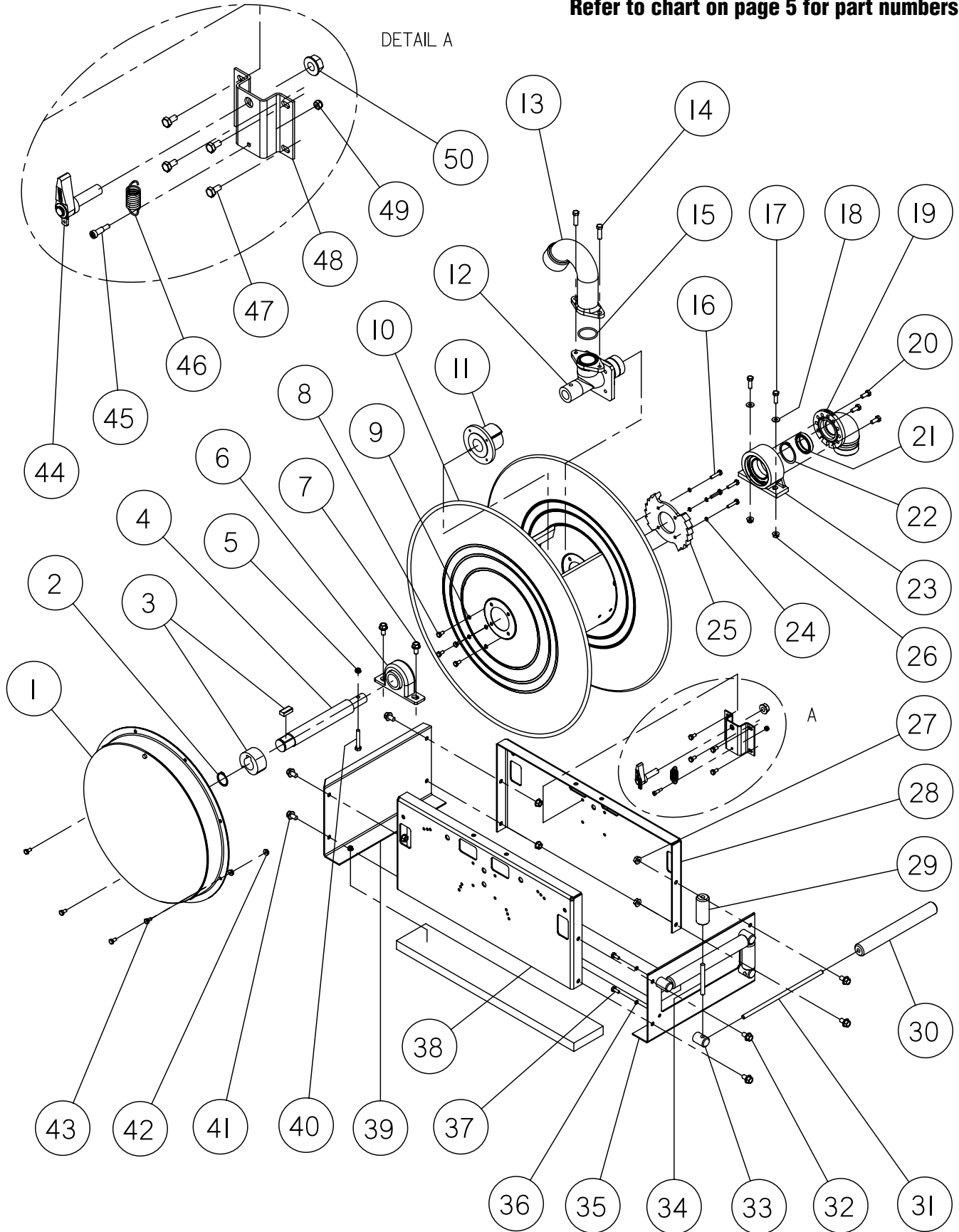


Series G9000 Spring Driven Hose Reels

Item #	Description	# Req	G9300 OMPBW	Item #	Description	# Req	G9300 OMPBW
1	Spring & Case Assembly	1	602735	25	Hex Flange Nut	12	S281-6
2	Snap Ring	1	300007	26	UHMWPE Roller	2	262436-2.968
3	Arbor & Key Assembly	1	S600621	27	UHMWPE Roller	2	262999
4	Support Shaft	1	263001	28	Guide Roller Pin	2	262998
5	Nyloc Nut	1	S85-7	29	Machine Screw	8	S44-2
6	Bearing	2	263000	30	Guide Roller Post	4	S270014
7	Machine Screw	4	S44-3	31	Guide Roller Pin	2	S270015
8	Hex Cap Screw	12	S2-41	32	Guide Roller Plate	1	262994
9	Split Lock Washer	12	902016	33	Split Lock Washer	12	902016
10	Sheave Assembly	1	602734	34	Hex Head Screw	4	S2-42
11	Spring Arbor	1	260888	35	Side Frame	2	262993
12	Spindle	1	263006	36	End Frame	1	262995
13	Gooseneck	1	262984	37	Hex Cap Screw	1	S376-59
14	Socket Head Cap Screw	4	S7-51	38	Machine Screw	8	S44-2
15	O-Ring	1	S200-324	39	Hex Flange Nut	8	S281-4
16	Machine Screw	4	S44-3	40	Hex Cap Screw	12	S2-41
17	Cap Screw	4	S2-46	41	Latch Pawl Assembly	1	602736
18	Reducing Bushing	1	393293	42	Shoulder Screw	1	S392-2
19	Swivel Assembly	1	S600682	43	Latch Spring	1	260067-1
20	Snap Ring	1	S140-34	44	Hex Cap Screw	12	S2-41
21	Bearing	2	263000	45	Latch Bracket	1	263003
22	Hex Flange Nut	12	S281-6	46	Nyloc Nut	1	S82-15
23	Split Lock Washer	12	902016	47	Hex Flange Nut	1	S280-8
24	Latch Ratchet	1	261115				

Item #	Description	# Req	G9400 OMPBW	Item #	Description	# Req	G9400 OMPBW
1	Spring & Case Assembly	1	602735	25	Hex Flange Nut	12	S281-6
2	Snap Ring	1	300007	26	UHMWPE Roller	2	262436-2.968
3	Arbor & Key Assembly	1	S600621	27	UHMWPE Roller	2	262999
4	Support Shaft	1	263001	28	Guide Roller Pin	2	262998
5	Nyloc Nut	1	S85-7	29	Machine Screw	8	S44-2
6	Bearing	2	263000	30	Guide Roller Post	4	S270014
7	Machine Screw	4	S44-3	31	Guide Roller Pin	2	S270015
8	Hex Cap Screw	12	S2-41	32	Guide Roller Plate	1	262994
9	Split Lock Washer	12	902016	33	Split Lock Washer	12	902016
10	Sheave Assembly	1	602737	34	Hex Head Screw	4	S2-42
11	Spring Arbor	1	260888	35	Side Frame	2	262993
12	Spindle	1	263006	36	End Frame	1	262995
13	Gooseneck	1	262984	37	Hex Cap Screw	1	S376-59
14	Socket Head Cap Screw	4	S7-51	38	Machine Screw	8	S44-2
15	O-Ring	1	S200-324	39	Hex Flange Nut	8	S281-4
16	Machine Screw	4	S44-3	40	Hex Cap Screw	12	S2-41
17	Cap Screw	4	S2-46	41	Latch Pawl Assembly	1	602736
18	Reducing Bushing	1	393293	42	Shoulder Screw	1	S392-2
19	Swivel Assembly	1	S600682	43	Latch Spring	1	260067-1
20	Snap Ring	1	S140-34	44	Hex Cap Screw	12	S2-41
21	Bearing	2	263000	45	Latch Bracket	1	263003
22	Hex Flange Nut	12	S281-6	46	Nyloc Nut	1	S82-15
23	Split Lock Washer	12	902016	47	Hex Flange Nut	1	S280-8
24	Latch Ratchet	1	261115				

Refer to chart on page 5 for part numbers



Series G9000 Spring Driven Hose Reels

Item #	Description	# Req	G9600 OLPBW	Item #	Description	# Req	G9600 OLPBW
1	Spring & Case Assembly	1	602735	26	Lock Nut	2	300107
2	Snap Ring	1	300007	27	Hex Flange Nut	10	S281-6
3	Spring Arbor & Key	1	S600621	28	Side Frame	1	263016
4	Support Shaft	1	263027	29	UHMWPE Roller	2	262436-2.968
5	Nyloc Nut	1	S85-7	30	UHMWPE Roller	2	262436-10.218
6	Bearing	1	263000	31	Guide Roller Pin	2	270110-10.750
7	Machine Screw	2	S44-3	32	Machine Screw	8	S44-2
8	Hex Cap Screw	12	S2-41	33	Guide Roller Post	4	S270014
9	Split Lock Washer	12	902016	34	Guide Roller Pin	2	S270015
10	Sheave Assembly	1	602746	35	End Frame	1	263009
11	Spring Arbor	1	260888	36	Split Lock Washer	12	902016
12	Spindle	1	263006	37	Hex Head Screw	4	S2-42
13	Gooseneck	1	S261694-3	38	Side Frame	1	262993
14	Hex Cap Screw	2	S347-66	39	End Frame	1	263008
15	O-Ring	1	S211-224	40	Hex Cap Screw	1	S376-59
16	Cap Screw	4	S2-46	41	Machine Screw	8	S44-2
17	Hex Cap Screw	2	S2-55	42	Hex Flange Nut	12	S281-4
18	Washer	2	300039	43	Hex Cap Screw	12	S2-41
19	90° Adapter	1	S261700	44	Latch Pawl Assembly	1	602736
20	Hex Cap Screw	3	S2-53	45	Shoulder Screw	1	S392-2
21	Ring Seal Assembly	1	S600947-1	46	Latch Spring	1	260067-1
22	Snap Ring	1	S140-45	47	Hex Cap Screw	12	S2-41
23	Bearing Housing	1	S602240	48	Latch Bracket	1	263003
24	Split Lock Washer	12	902016	49	Nyloc Nut	1	S82-15
25	Latch Ratchet	1	261115	50	Hex Flange Nut	1	S280-8