

Operating Instructions

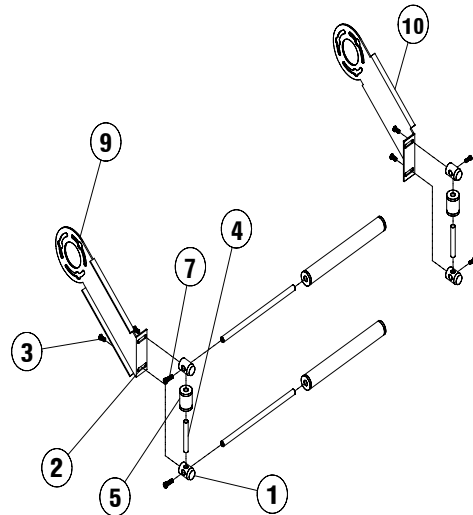
Series 30000 Hose Reels Four Way Multi-Position Roller Guides

S600533-1 S600533-2 S600533-3 S600533-4 S600533-5

WARNING: Even low pressure is very dangerous and may cause personal injury or death. Relieve line pressure to reel before any disassembly. To reduce the risk of electric shock, unplug reel before any alteration to reel is made.

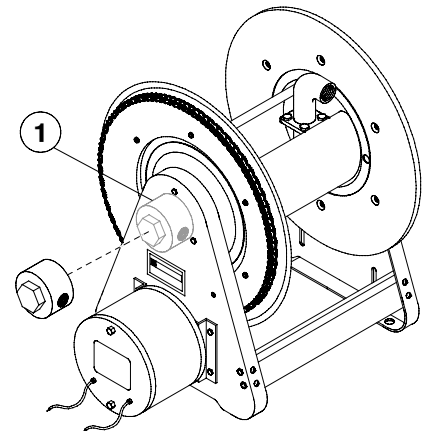
1. Sub-assemble your roller bracket

1. Assemble bottom post (1) to bottom slot (2) in guide arm using bolts (3).
2. Drop shaft (4) into post and place roller (5) over shaft.
3. Assemble top post to top slot, making sure that top of shaft fits into hole in top post.
4. Repeat steps #1 through #3 for other side.
5. Remove one post from each long roller.
6. Mount both posts with rollers attached onto guide arm. Mount lone posts to other guide arm.



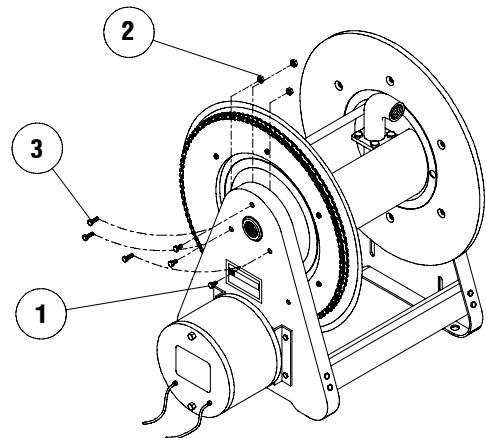
2. Remove your swivel

1. Unscrew swivel (1) from reel.
2. Remove old thread sealant from threads on swivel.
3. Set aside swivel for later re-assembly.



3. Change mounting bolts

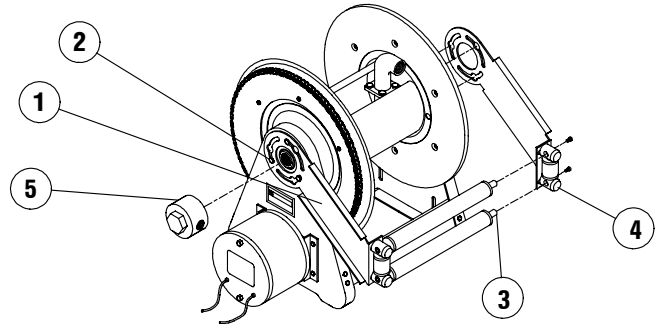
1. Remove 3 bolts (1) from reel as shown. Remove and replace one bolt at a time to insure rigidity of reel during disassembly.
2. Replace 5/16 self tapping bolts with 1/4-20 x 3/4" bolts and nuts (2).
3. Do not tighten yet.
4. Repeat steps 1 through 3 for opposite side.



Form# 739-1294 Rev: 4/2018

4. Assemble roller bracket kit to reel

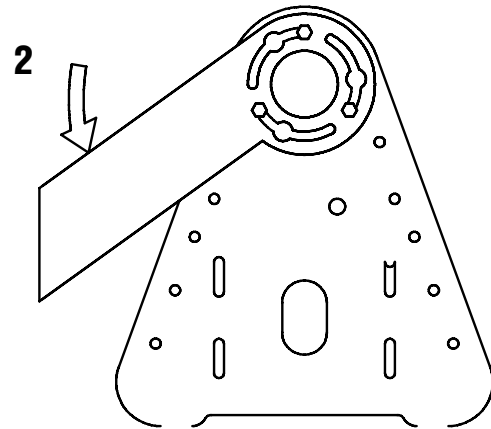
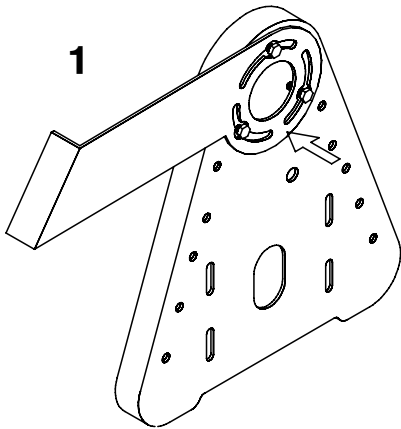
1. Slip guide arm (1) over the three mounting screws (2) as shown and rotate into desired position (see guide arm attachment).
2. Tighten screws.
3. Repeat for opposite side, being sure that shafts (3) fit into posts (4) on other side (S600533-5 only*). For all models except S600533-5, perform steps 1 and 2 for both sides. Then fix guide rollers and posts to reel as shown in step 1.
4. Replace swivel (5), being sure to apply thread sealant before re-assembly.
5. If required, feed hose through rollers.



*For models other than S600533-1, the long rollers and posts will be pre-assembled.

Guide arm attachment

1. Line up holes in guide arm with screw heads and push guide arm flush with side frame (1).
2. Rotate guide arm into desired position (2). Tighten screws.



The addition of a roller guide system is not recommended on reels equipped with a chain guard and may void the warranty. Consult manufacturer for details.