

# Operating Instructions

## Static Discharge Reels

Model Number:

G 3050      G 3050 Y      G 3050 N

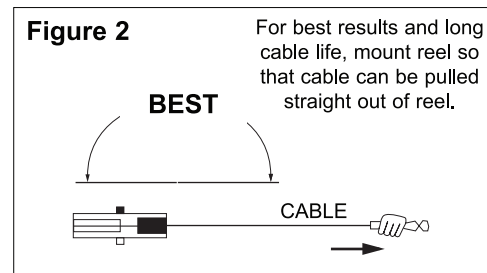
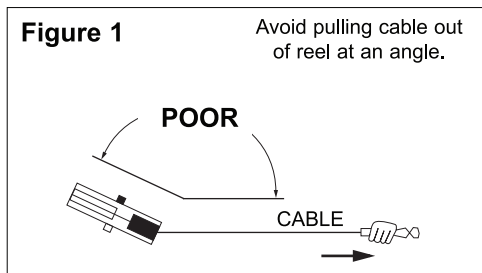


## INSTALLATION

### ⚠ CAUTION

Be sure reel base is securely grounded to mounting surface. Check for continuity following installation. On painted surfaces, remove paint at bolt location, use external tooth lockwashers or run ground wire from reel base to grounded object. Failure to ground will prevent reel from performing its intended function and could result in personal injury.

Mount reel to grounded, metal surface using four holes in mounting base. To minimize wear on cable and cable guide, reel should be mounted in direct line with work so that cable is pulled out as straight as possible during use. See figures 1 & 2.



## TENSION ADJUSTMENT

⚠ Never add / remove tension when the cable is extended from the reel. The cable must always be fully wound on the reel.

1. Hold shaft securely with wrench and remove 2 screws from hub.
2. Turn shaft clockwise / counter-clockwise to add / remove tension (one full turn at a time).
3. When desired tension is achieved, replace the 2 screws.

## RATCHET LOCK USE

Engage ratchet lock by pulling cable out to desired position and letting it retract SLOWLY until lock engages. To release lock, quickly pull cable out a short distance and allow it to begin to retract-it operates like a window shade. Locking feature may be turned off by turning knob on side of reel.

### ⚠ DANGER

DO NOT allow cable to retract in an uncontrolled manner. Always guide cable back to reel. Failure to do so can result in damage to reel or personal injury.

Rev: 01/2023

## REGULAR MAINTENANCE

1. Reel is factory lubricated for life. No additional lubrication required.
2. Periodically check cable for wear. **If wear is detected, cable should be replaced immediately.** If cable replacement is required, order cable assembly kit no. 5 which contains cable and related parts, hardware and instructions. See parts list for details.

## SPRING REPLACEMENT

**⚠ DANGER** DO NOT attempt to remove spring motor from its canister. Doing so can result in damage to reel or personal injury.

Spring motors are self-contained for safe and easy handling. If spring motor replacement is required, it should be replaced as a unit by ordering spring motor kit no. 1 which contains the spring motor, spool, shaft and bushings in a sealed canister. See parts list for details.

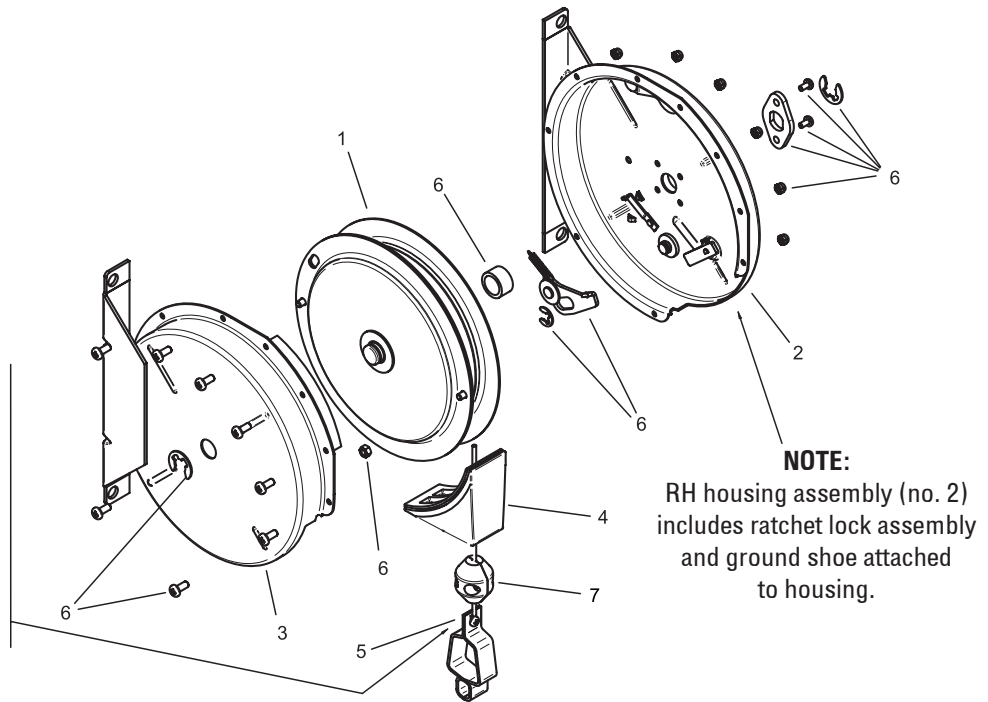
## RATCHET LOCK REPLACEMENT

For your convenience, the ratchet lock assembly has been included in two separate replacement kits. Order either the hardware assembly kit no. 6, or the RH housing assembly kit no. 2. See parts list for details.

### CABLE OPTIONS (Number 5)

“Y” cable assembly (two clips),  
add -Y to the part number.  
EXAMPLE: G 3050-K05-Y

Nylon covered cable, add -N to  
the part number.  
EXAMPLE: G 3050-K05-N



Item Number	G 3050 G 3050 Y G 3050 N	Description
1	G 3050-K01	<b>Spring motor assembly:</b> spring motor, shaft and bushings in sealed container
2	G 3050-K02	<b>RH housing assembly:</b> RH housing half, ratchet lock assembly (attached to housing)
3	G 3050-K03	<b>LH housing assembly:</b> LH housing half, nameplate
4	G 3050-K04	<b>Cable guide</b>
5	G 3050-K05	<b>Cable assembly:</b> cable, grounding clamp(s), lockwasher-M4, hex nut-m4 ( <b>see notes below</b> )
6	G 3050-K06	<b>Hardware package:</b> spacer, torsion spring, slotted machine screws M4 x 14mm (3), slotted machine screws M4 x 8mm (6), lockwasher-M4 (10), hex nut-M4 (10), retaining ring (3), extension spring, ratchet lock assembly
7	S602413	<b>Cable stop</b>

\*For **G 3050 Y models** with “Y” cable (two grounding clamps), order part number **G 3050-K05Y**.  
For **G 3050 N models** with nylon covered cable, order part number **G 3050-K05N**.