




## Light Cord Reels

Model with cord & bumper	Cord Ending	Cord Specifications					Volts	Amps	Shipping Weight		Size Index #	
		AWG	mm <sup>2</sup>	# Cond	ft	m			Type*	lbs		kg
<b>L 4035 163 10</b>	LED lamp w/ outlet, Inlet straight blade plug NEMA 5-15P	16	1.33	3	35	11	SJTOW	125	12	26	12	1
<b>L 4050 163 10</b>	Inlet straight blade plug NEMA 5-15P	16	1.33	3	50	15	SJTOW	125	12	28	13	1


**For indoor non-weathertight applications only.** All models UL listed at 125 Volt 60 HZ single phase. Swing brackets or pivot bases should be used if cords are pulled at more than 45°, see page 39. \*Equivalent cord type may be used.



L 4050 163 10

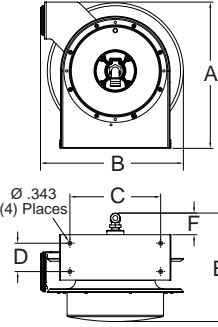



**#10 - LED Light** (930 lumens)  
Two ultra-high intensity 4-watt LEDs; Single 3-watt end spot light; Polycarbonate shatter-resistant light tube; In-line tool tap, NEMA 5-15R configuration maximum 12 amp draw

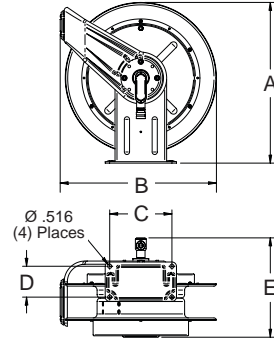


**Pivot Bases & Swing Brackets**  
See page 39

- All Series L 4000, L 5000, and L 70000 reel models supplied with cord are complete with a 4-5 foot pigtail and three-prong plug or receptacle (except flying lead reels)
- Compact design
- Durable abrasion and corrosion resistant baked-on powder coat finish



Dimensions - Size Index								
	1		2		3		4	
	in	mm	in	mm	in	mm	in	mm
<b>A</b>	12 <sup>7</sup> / <sub>8</sub>	327	14 <sup>3</sup> / <sub>8</sub>	365	17 <sup>5</sup> / <sub>8</sub>	448	17 <sup>5</sup> / <sub>8</sub>	448
<b>B</b>	12 <sup>5</sup> / <sub>8</sub>	321	14 <sup>1</sup> / <sub>4</sub>	362	16 <sup>3</sup> / <sub>4</sub>	425	16 <sup>3</sup> / <sub>4</sub>	425
<b>C</b>	8	203	9 <sup>3</sup> / <sub>4</sub>	248	9 <sup>3</sup> / <sub>4</sub>	248	9 <sup>3</sup> / <sub>4</sub>	248
<b>D</b>	2 <sup>1</sup> / <sub>2</sub>	64	2 <sup>1</sup> / <sub>2</sub>	64	2 <sup>1</sup> / <sub>2</sub>	64	2 <sup>1</sup> / <sub>2</sub>	64
<b>E</b>	9 <sup>3</sup> / <sub>8</sub>	239	10 <sup>1</sup> / <sub>2</sub>	267	10 <sup>1</sup> / <sub>2</sub>	267	12 <sup>1</sup> / <sub>2</sub>	318
<b>F</b>	1 <sup>3</sup> / <sub>4</sub>	44	2 <sup>1</sup> / <sub>8</sub>	54	2 <sup>1</sup> / <sub>8</sub>	54	2 <sup>1</sup> / <sub>8</sub>	54



Dimensions - Size Index						
	5		6		7	
	in	mm	in	mm	in	mm
<b>A</b>	20 <sup>1</sup> / <sub>4</sub>	514	20 <sup>1</sup> / <sub>4</sub>	514	20 <sup>1</sup> / <sub>4</sub>	514
<b>B</b>	19 <sup>3</sup> / <sub>4</sub>	502	19 <sup>3</sup> / <sub>4</sub>	502	19 <sup>3</sup> / <sub>4</sub>	502
<b>C</b>	7 <sup>13</sup> / <sub>16</sub>	198	7 <sup>13</sup> / <sub>16</sub>	198	7 <sup>13</sup> / <sub>16</sub>	198
<b>D</b>	3 <sup>7</sup> / <sub>8</sub>	98	3 <sup>7</sup> / <sub>8</sub>	98	3 <sup>7</sup> / <sub>8</sub>	98
<b>E</b>	11 <sup>3</sup> / <sub>4</sub>	298	12 <sup>1</sup> / <sub>2</sub>	318	14 <sup>5</sup> / <sub>8</sub>	371

## NEMA 4 Power Cord Reels

- NEMA 4 rating provides protection against water or dust, indoor and out
- Cast aluminum construction with yellow powder coat finish
- Large, easy to access junction box
- One inch (NPT) pipe thread opening provided for conduit inlet
- Guide arm is adjustable every 5° over a 270° arc
- Containerized drive spring allows for safer, easier maintenance



L NM445 144 X

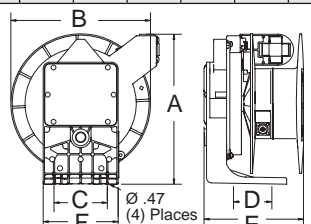


**Interactive Reel Catalog**

Visit [reelcraft.com/catalog](http://reelcraft.com/catalog) for complete product specifications, parts, and accessories.



Dimensions						
	A	B	C	D	E	F
in	14 <sup>1</sup> / <sub>2</sub>	13 <sup>1</sup> / <sub>2</sub>	4 <sup>7</sup> / <sub>16</sub>	3 <sup>1</sup> / <sub>16</sub>	9 <sup>5</sup> / <sub>8</sub>	7 <sup>1</sup> / <sub>4</sub>
mm	368	343	113	78	244	184



Model with cord & bumper	Cord Ending	Cord Specifications					Volts	Amps	Shipping Weight		
		AWG	mm <sup>2</sup>	# Cond.	ft	m			Type	lbs	kg
<b>L NM450 163 X</b>	Flying Lead	16	1.31	3	50	15	SOW	600	9	43	20
<b>L NM445 144 X</b>		14	2.08	4	45	14	SOW	600	11	50	23
<b>L NM450 123 X</b>		12	3.31	3	50	15	SOW	600	18	50	23

All models UL listed at 125 Volt 60 HZ single phase. One inch (NPT) pipe thread opening provided for conduit inlet.