

New Product Announcement

DEF Dispensing Reels Series 7000 & 9000

Reelcraft introduces its DEF Dispensing line of spring retractable hose reels. Designed to aide in the dispensing of Diesel Emissions Fluid (DEF) for late model diesel engines, these reels are an integral part in emerging DEF service stations found at truck stops and garages. Dispensing equipment is going to become more prevalent across the United States as the deadline for the federal emissions standard mandate approaches. Reelcraft is offering a solution.

Benefits

- **Corrosion Resistance** Internal fluid path parts are made from 304L grade stainless steel and features Viton o-rings. Carbon steel parts receive a uniform polyester powder coat prior to assembly.
- **Heavy Duty** Steel stampings are engineered with structural forms to give added strength and rigidity.
- **Ease of Maintenance** Open design allows for access to any wear items, guide arm and bumper stop are adjustable using only standard tools.
- **Extended Hose Life** Reel stores expensive hose up and out of harm's way greatly extending the service life of hose.

Related Products

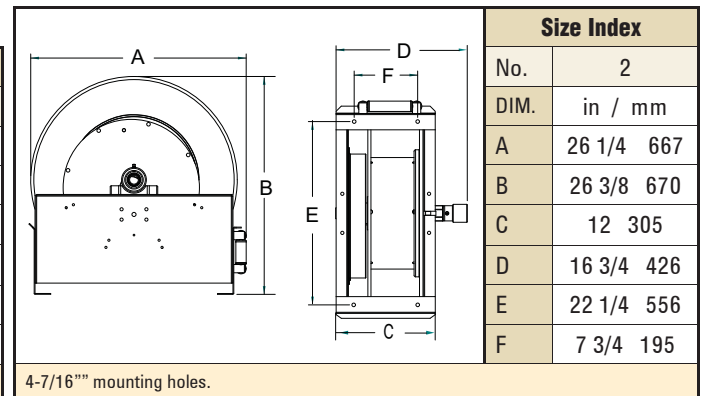
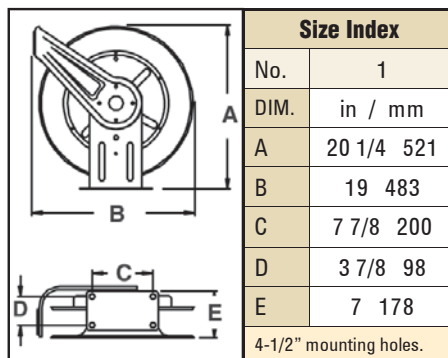
Reelcraft offers a complete line of over 2,500 hose, cord and cable reels. For more information visit us on the web at www.reelcraft.com.



Model Shown
URD9275 OLBBW70



UR7925 OLB



SPECIFICATIONS

- ✓ Designed for dispensing DEF or Diesel Emissions Fluid (AUS32, Aqueous Urea Solution)
- ✓ Goodyear DEF Dispensing Hose and adjustable bumper included
- ✓ Gasketed spring case
- ✓ Viton® o-rings
- ✓ Reels constructed from industrial grade carbon steel or 304L stainless steel (optional).
- ✓ 316 Stainless shaft and Super Swivel®
- ✓ High quality stainless steel hose ferrules

Model with Hose	Shipping Weight		Pressure		Hose I.D.		Hose O.D.		(M) Outlet	(F) Inlet	Hose Length		Model without Hose	Shipping Weight		Pressure		Size Index
	lbs / kg		psi / bar		in / mm		in / mm		in	in	ft / m	lbs / kg			psi / bar			
Carbon Steel Reel W/ Stainless Steel Fluid Path Maximum Temperature 150° F (65° C)																		
UR7830 OLB70	49	22	300	21	1/2	13	.844	22	1/2 BSPP	1/2 BSPP	30	9	UR7800 OLB70	44	20	500	35	1
UR7850 OLB70	50	23	300	21	1/2	13	.844	22	1/2 BSPP	1/2 BSPP	50	15	UR7800 OLB70	44	20	500	35	1
URD9275 OLBBW70	125	57	300	21	1/2	13	.844	22	1/2 BSPP	1/2 BSPP	75	23	URD9200 OLBBW70	115	52	500	35	2
UR7915 OLB	48	22	300	21	3/4	19	1.13	29	3/4 NPT	3/4 NPT	15	5	UR7900 OLB	44	20	500	35	1
UR7925 OLB	53	24	300	21	3/4	19	1.13	29	3/4 NPT	3/4 NPT	25	8	UR7900 OLB	44	20	500	35	1
URD9350 OLBBW70	152	69	300	21	3/4	19	1.13	29	3/4 BSPP	3/4 BSPP	50	15	URD9300 OLBBW70	115	52	500	35	2

NOTE: Models available with NPT inlet/outlet thread, consult factory. Working temperature range:-15°F (-26°C) to 250°F (121°C).

Reelcraft Industries, Inc.
2842 E. Business Hwy. 30
Columbia City, IN 46725
Fax: **260-248-2605**

Toll Free Ph: **800-444-3134**
Ph: **260-248-8188**
www.reelcraft.com
reelcraft@reelcraft.com

