

# Dual Agent Hose Reel

Series 9300

## New Product Announcement

### DESCRIPTION

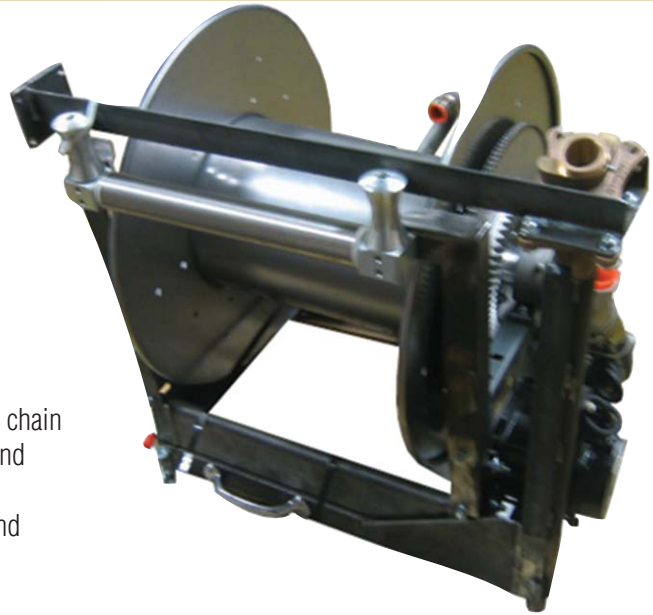
Dual agent hose reels, used primarily in firefighting applications, are designed to be mounted inside truck cabinets and swing out for easy access and operation. These reels come with a 3-way guide roller as standard to protect expensive twin hoses. Reels feature a corrosion resistant powder coat finish and lock pin to prevent de-reeling while truck is in motion.

### BENEFITS

- **Structural Strength** Heavy gauge steel stampings with re-enforced ribs give added strength.
- **Dependable** 1/2" pitch chain is standard to reduce likelihood of chain stretching and jumping off the sprocket. Also, auxiliary bevel rewind offers additional rewind alternative.
- **Ease of Use** Reel mounts on a pivot to promote better access and guide rollers ensure that hose retracts smoothly.

### RELATED PRODUCTS

Reelcraft offers a complete line of over 2,500 hose, cord and cable reels for a variety of applications. We also have full design and engineering capabilities if you are looking for a more tailored product. For more information visit us on the web at [www.reelcraft.com](http://www.reelcraft.com).



NOTE: Cross member and swing bracket shown as it is shipped from our factory, not as it is installed.

### SPECIFICATIONS

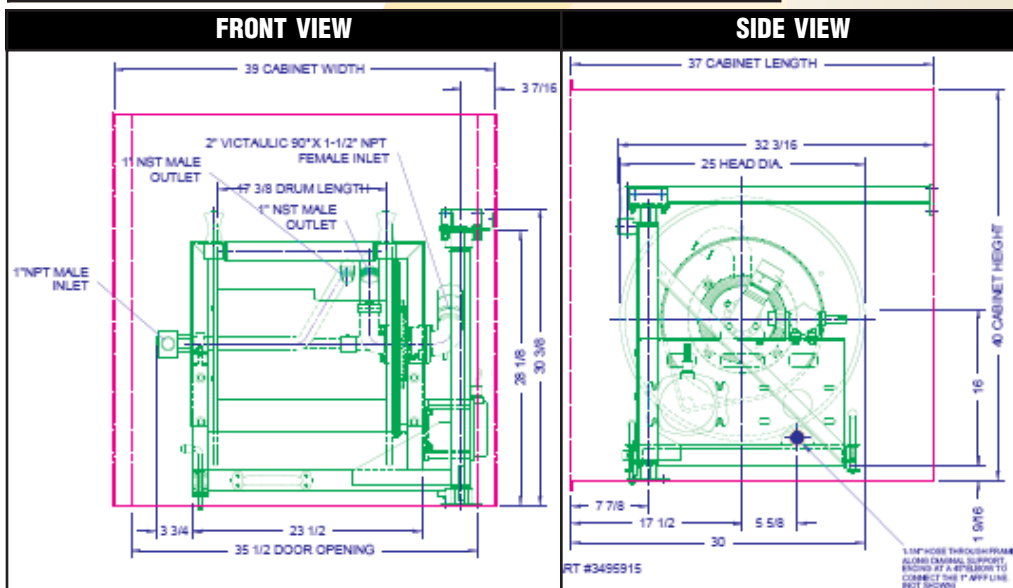
- ✓ 12V dc explosion proof motor
- ✓ Auxiliary bevel gear and pinion rewind
- ✓ Inlets: 2" vic 90° X 1-1/2" NPT(F) (left) & 1" NPT(M) (right)
- ✓ Outlets: 1" NST(M) (Both)
- ✓ Components are individually powder coated prior to assembly

- ✓ 3-way guide roller
- ✓ 300 PSI working pressure
- ✓ Viton seals
- ✓ Lock pin
- ✓ Swing-out framing member
- ✓ Working temperature range: 174°F (79°C) to -20°F (-29°C)
- ✓ Bronze bearing for swing mount included

### SPECIFICATIONS

MODEL (without hose)	HOSE I.D.	HOSE LGTH	PRESSURE	WEIGHT
	in	ft / m	psi / bar	lbs / kg
EP9300T-25-17-10RZ	1 Twin	100 31	300 21	250 113

NOTE: Pricing effective August 1, 2008 and subject to change. Call for Quote.



DUAL AGENT HOSE REEL / SERIES 9300

North America: 800-444-3134

Europe: + 44 (0) 1536 406999

Asia: 63-45-599-3721

Latin America: 260-489-1685

**Reelcraft Industries, Inc.**

One Reelcraft Center / P.O. Box 248

Columbia City, IN 46725

FAX: 260-248-2605

[www.reelcraft.com](http://www.reelcraft.com)

Reelcraft Industries is

**ISO 9001:2000**

Certified Since 1996

**REELCRAFT**

Wind Things Up With Reelcraft