

New Product Announcement

Compact Tri-Tap Cord Reel Series L 4000

The new tri-tap reels from Reelcraft supply power enough for up to three electrical implements where and when you need it. This new accessory option is based on our current L 4000 series reel platform that has been the industry standard for quality and durability in industrial settings for nearly 30 years. Models are available in 16/3 or 12/3 cord and either standard triple tap or GFCI protected triple tap.

Benefits

- **Long Service Life** Heavy duty brass collector ring and brushes are designed to create continuous contact and extend service life.
- **Durable** Components are made from industrial grade steel and engineered with structural forms to improve overall integrity of the reel.
- **Compact** Reel requires little space and is ideal for reducing clutter in the work area due poor organization of lengthy extension cords.

Related Products

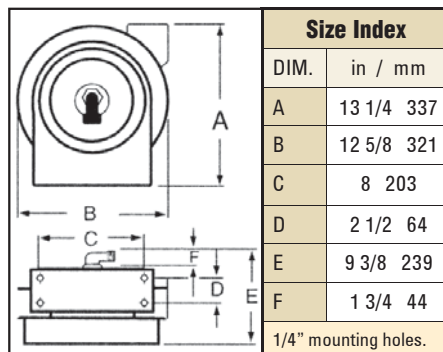
Reelcraft offers a complete line of over 2,500 standard hose, cord and cable reels. Visit us online at www.Reelcraft.com for a comprehensive listing and our special manufacturing capabilities.



Model Shown:
L 4545 123 9G



Model Shown:
L 4545 123 9



SPECIFICATIONS

- Heavy duty brass slip ring and brushes
- Adjustable cord stop included
- Models with GFCI protection also feature resettable circuit breaker
- Baked-on, powder coat finish provides excellent corrosion resistance. Standard finish is red. Other colors available upon request.
- Reel models supplied with 4'-5' pigtail and three-prong NEMA-15 plug.
- Optional swing bracket allows reel to swing freely or pin lock into one of several positions



600993 Swing bracket

Model with Cord	Cord Ending	Cord Specifications				Volts	Amps	Shipping Weight	
		AWG / mm	# Cond.	ft / m	Type			lbs	/ kg
Power Cord Reels Maximum Temperature 150° F (65° C)									
L 4050 163 9	Triple Outlet	16	1.33	3	50 15	SJE00W	125	13	26 12
L 4545 123 9	Triple Outlet	12	3.32	3	45 14	SJE00W	125	15	28 13
L 4545 123 9G	Triple Outlet w/ GFCI Protection	12	3.32	3	45 14	SJE00W	125	15	29 13

For indoor non-weather tight applications only. All models UL listed at 125 Volt 60 HZ single phase. Base power cord reels without cord ends are suitable for 220V, but not UL approved at 220V. Plug ends not set up for 20 amp. NOTE: Swing brackets should be used if cords are pulled at more than 45°

Reelcraft Industries, Inc.
2842 E. Business Hwy. 30
Columbia City, IN 46725
Fax: 260-248-2605

Toll Free Ph: 800-444-3134
Ph: 260-248-8188
www.reelcraft.com
reelcraft@reelcraft.com

